

A

# SPECTRA

Buzzer Horn Strobe  
IP Rating: IP65  
Temp: -25 °C to +50 °C  
Unit weight: 188g  
CE

Order code Voltage  
H100BX024G/x 24V AC/DC  
• 24V dc 10mA  
• 24V ac 50Hz 24mA  
• Beacon Current Consumption  
• 24V dc 135mA  
• 24V ac 50Hz 75mA

H100BX115G/x 115V AC  
• 115V ac 50/60Hz 19mA  
• Beacon Current Consumption  
• 115V ac 50/60Hz 30mA

H100BX230G/x 230V AC  
• 230V ac 50/60Hz 10mA  
• Beacon Current Consumption  
• 230V ac 50/60Hz 20mA

# H100 BX

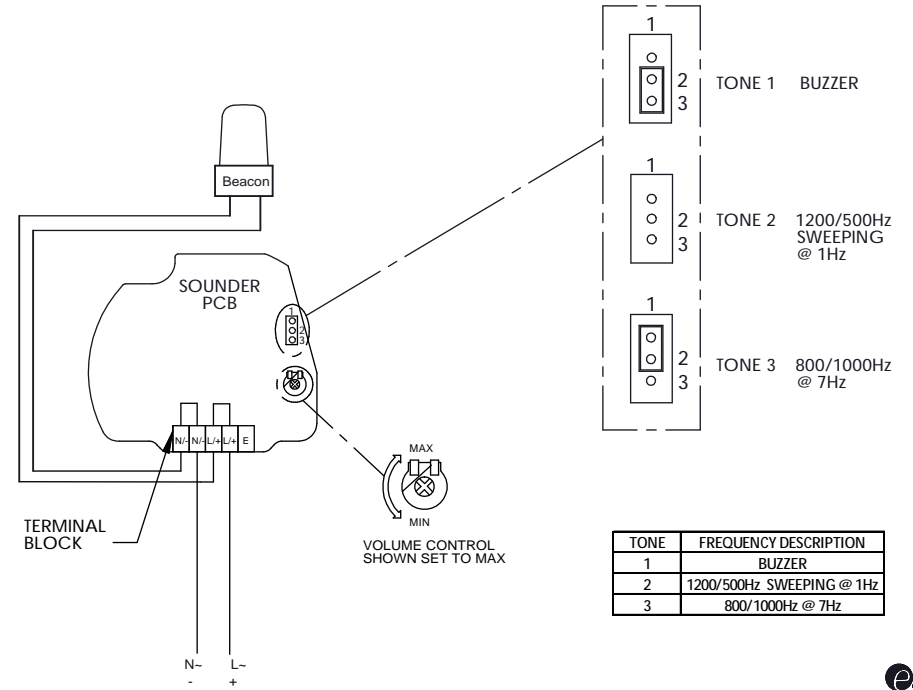
Dimensions : 94.2 x 135.2mm  
1.5mm<sup>2</sup> terminals  
Cable entry: 1 x 5-7mm push  
through grommet

x = Lens colour  
R = Red A = Amber  
B = Blue C = Clear  
G = Green Y = Yellow

Tel: +44 (0)2 8743 8880 Fax: +44 (0)20 8740 4200  
mail: [sales@e2s.com](mailto:sales@e2s.com) web: [www.e2s.com](http://www.e2s.com)



D



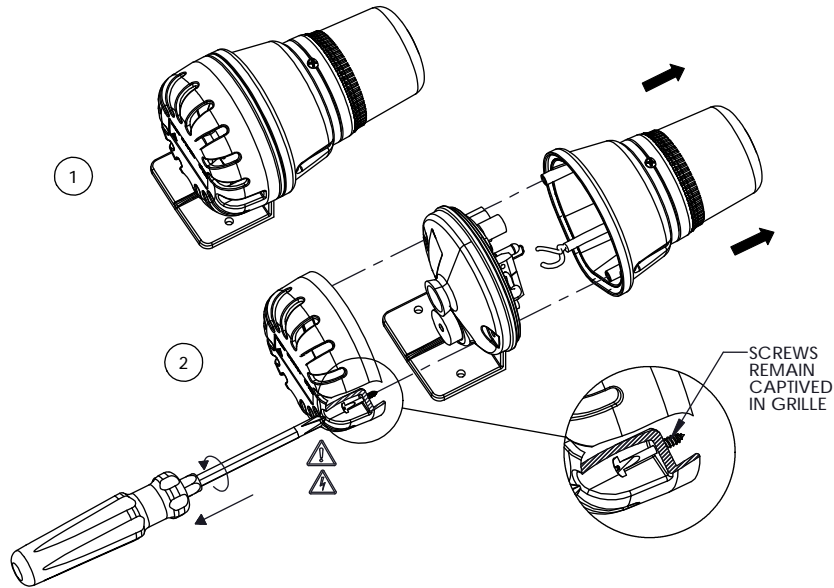
B

- ⚠ ATTENTION:** Installation must be carried out by an electrician in compliance with the latest codes and regulations.
- ⚠ ATTENTION:** Disconnect from power source before installation or service to prevent electric shock.
- ⚠ ATTENTION:** On strobe beacons allow a minimum of 2 minutes for hazardous high voltage to discharge from unit.
- ⚠ ATTENTION:** Lens on unit will be hot allow to cool prior to removal.

C



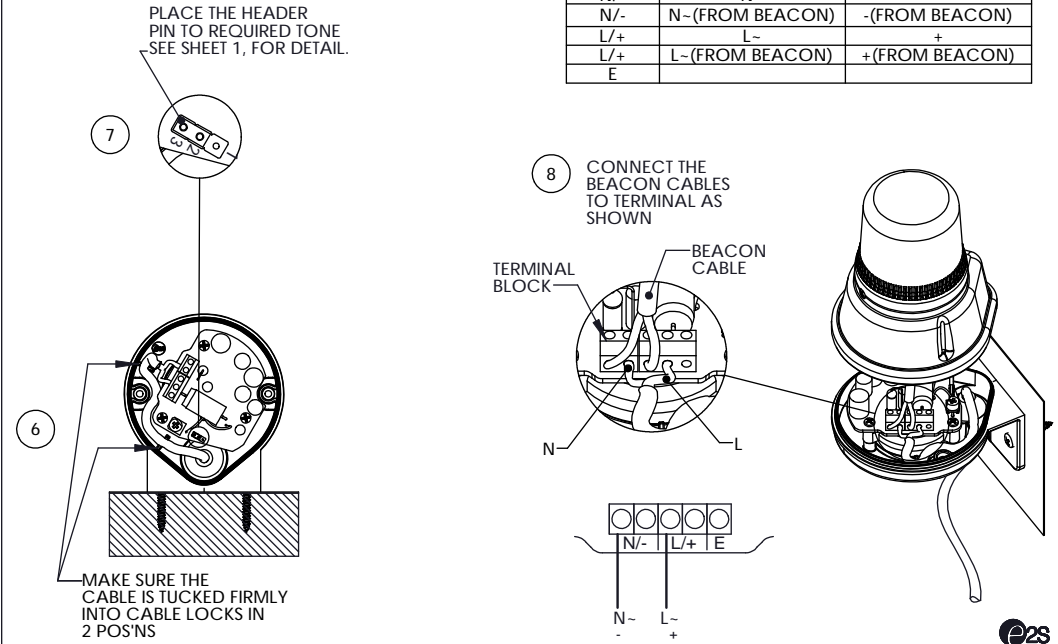
# A SPECTRA H 100 BX



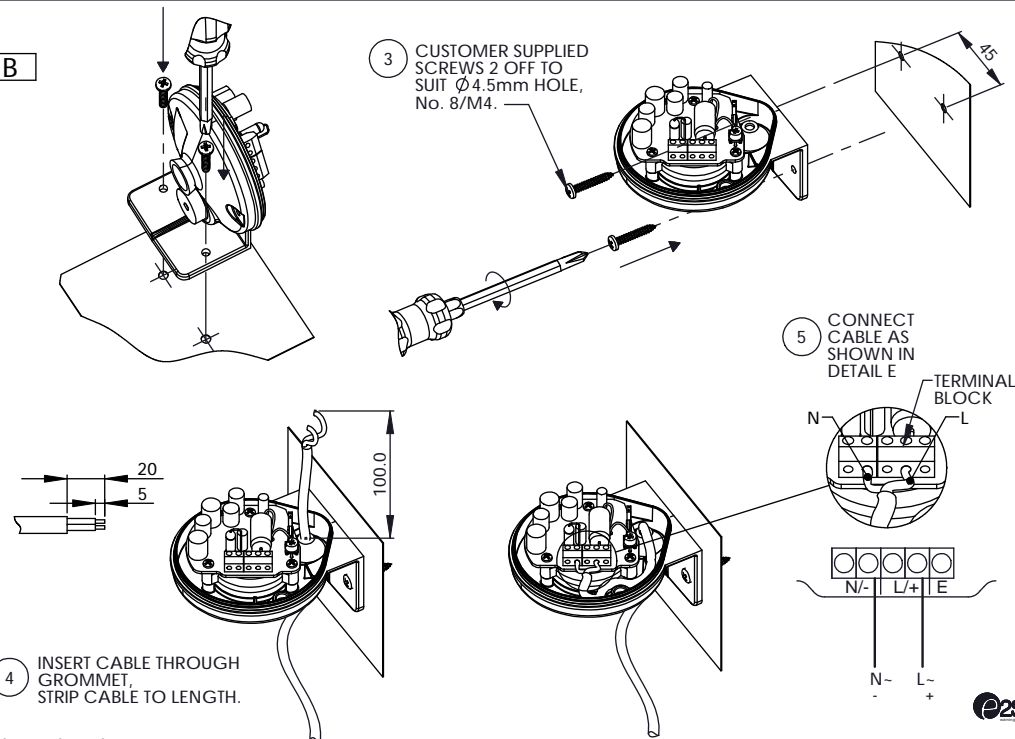
Tel: +44 (0)20 8743 8880 Fax: +44 (0)20 8740 4200  
mail: sales@e2s.com web: www.e2s.com



# C



# B



Dimensions in mm



# D

