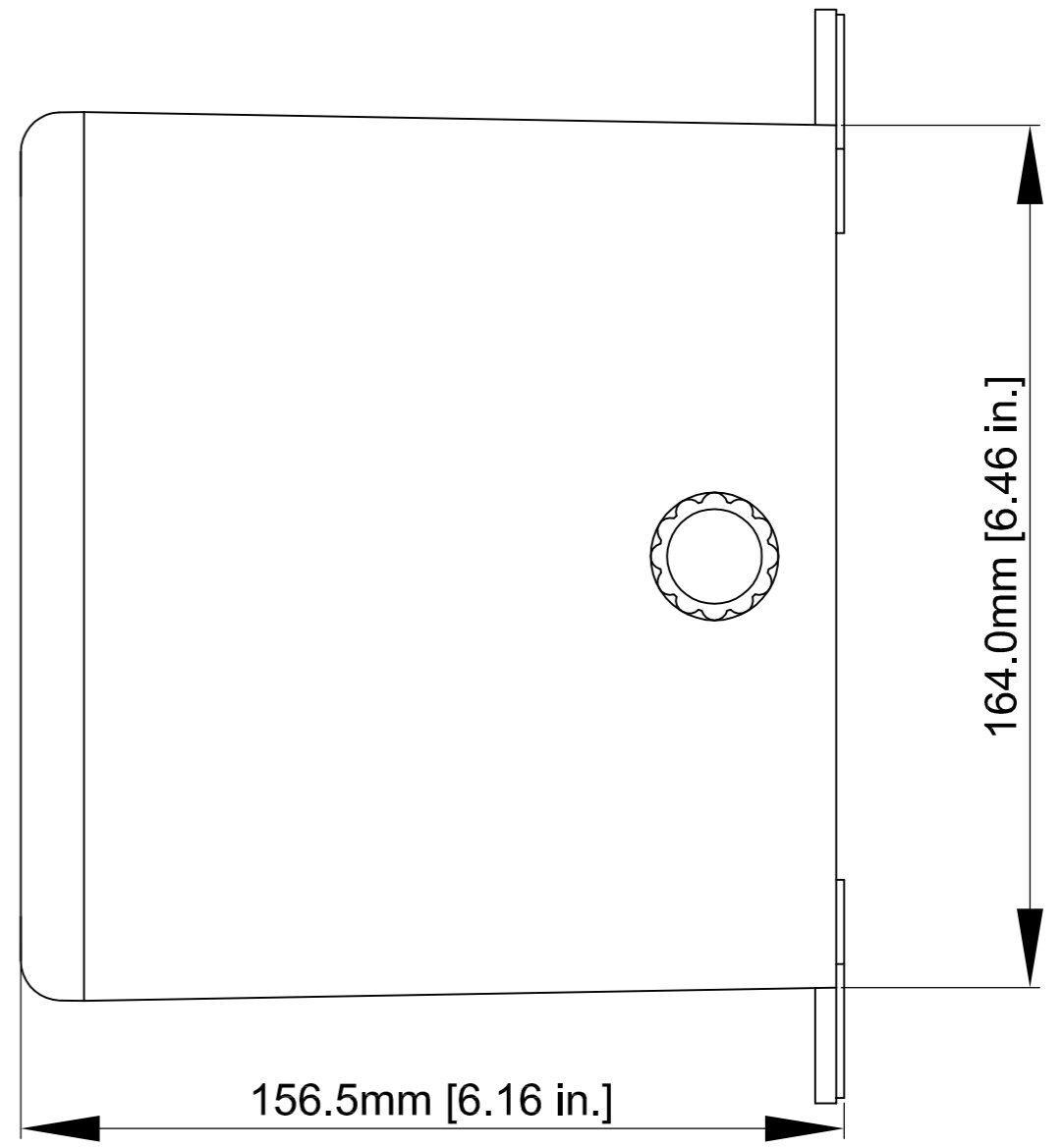
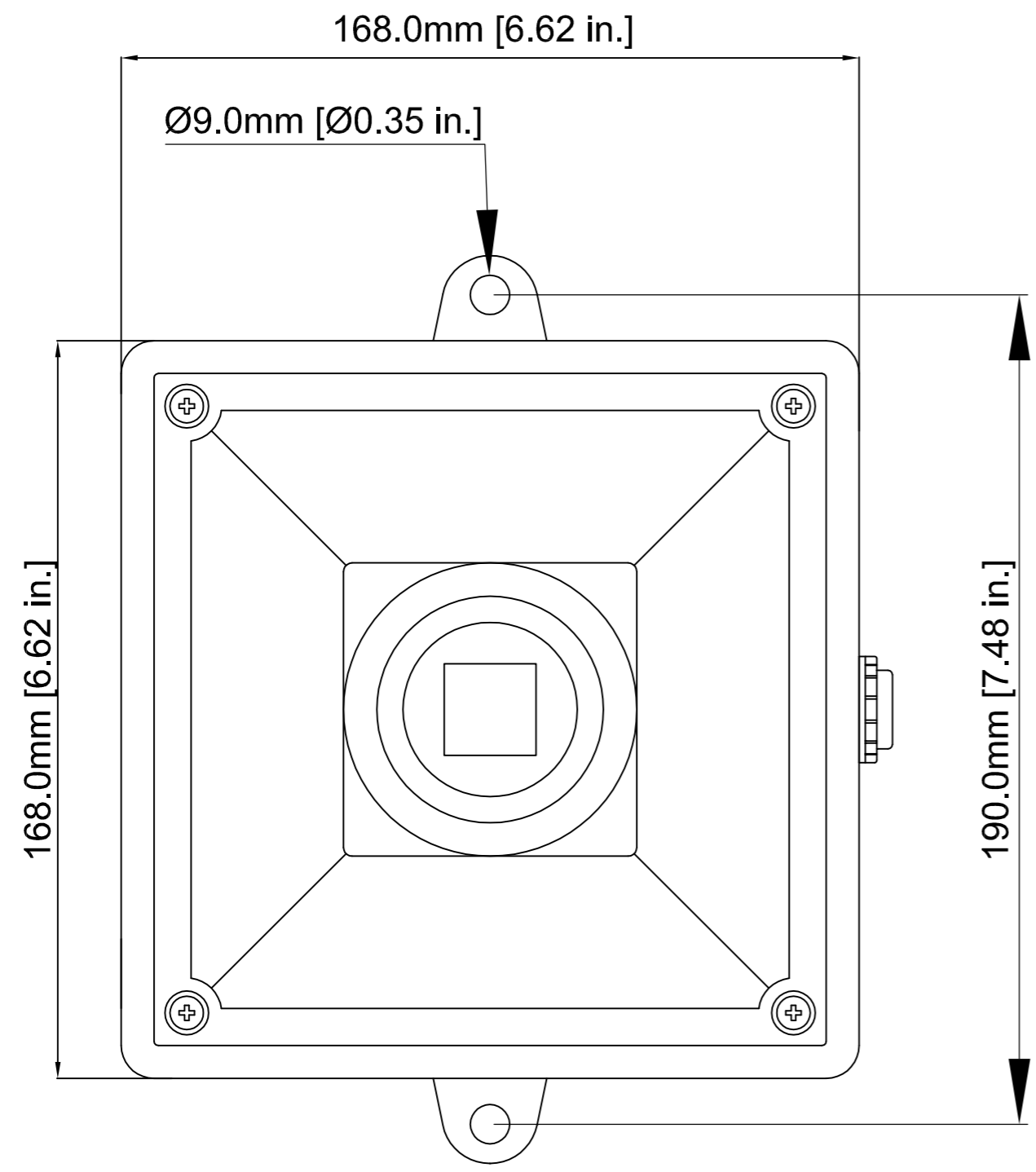


ISSUE	MOD No.	INITIAL/DATE
A		INTRODUCTION OF PART GU 14-08-09
B		CABLE GLAND ADDED GU 28-08-09
C		UPDATED TO DUAL DIMS. RSR 21-06-13



E2S PART NO.	DESCRIPTION	DATA REFERENCE
A112N...	A112N ALARM SOUNDER	2.21.080

WHERE APPLICABLE '-UL' VERSIONS ARE COVERED BY THIS OUTLINE DRAWING.

DRAWING TO BS8888:2000 GEOMETRIC TOLERANCES TO ISO1101:1983 LINEAR DIMENSIONAL TOLS ANGULAR DIMENSIONAL TOLS	DRAWN G. UDOWICZENKO	DATE 14-08-09	SURFACE FINISH	WEIGHT (Kg)	THIS DRAWING AND ANY INFORMATION OR DESCRIPTIVE MATTER THEREIN IS COMMUNICATED IN CONFIDENCE AND IS THE COPYRIGHT PROPERTY OF EUROPEAN SAFETY SYSTEMS LTD. NEITHER THE WHOLE OR ANY EXTRACT MAY BE DISCLOSED, LOANED, COPIED OR USED FOR MANUFACTURING OR TENDERING PURPOSES WITHOUT THEIR WRITTEN CONSENT.	 warning signals EUROPEAN SAFETY SYSTEMS LTD IMPRESS HOUSE MANSELL ROAD ACTON LONDON W3 7QH WWW.E2S.COM	ALL DIMENSIONS IN MM IF IN DOUBT, ASK - DO NOT SCALE	 A2
	CHECKED	DATE	MATERIAL					
	APPROVED	DATE	ALTERNATIVE MATERIAL					
STANDARDS					© EUROPEAN SAFETY SYSTEMS LTD. AS PER LATEST DATE OF ISSUE SHOWN ABOVE	TITLE A112N SOUNDER RANGE - OUTLINE SCALE 1:1 SHEET 1 OF 1 DRAWING NUMBER SK0109		