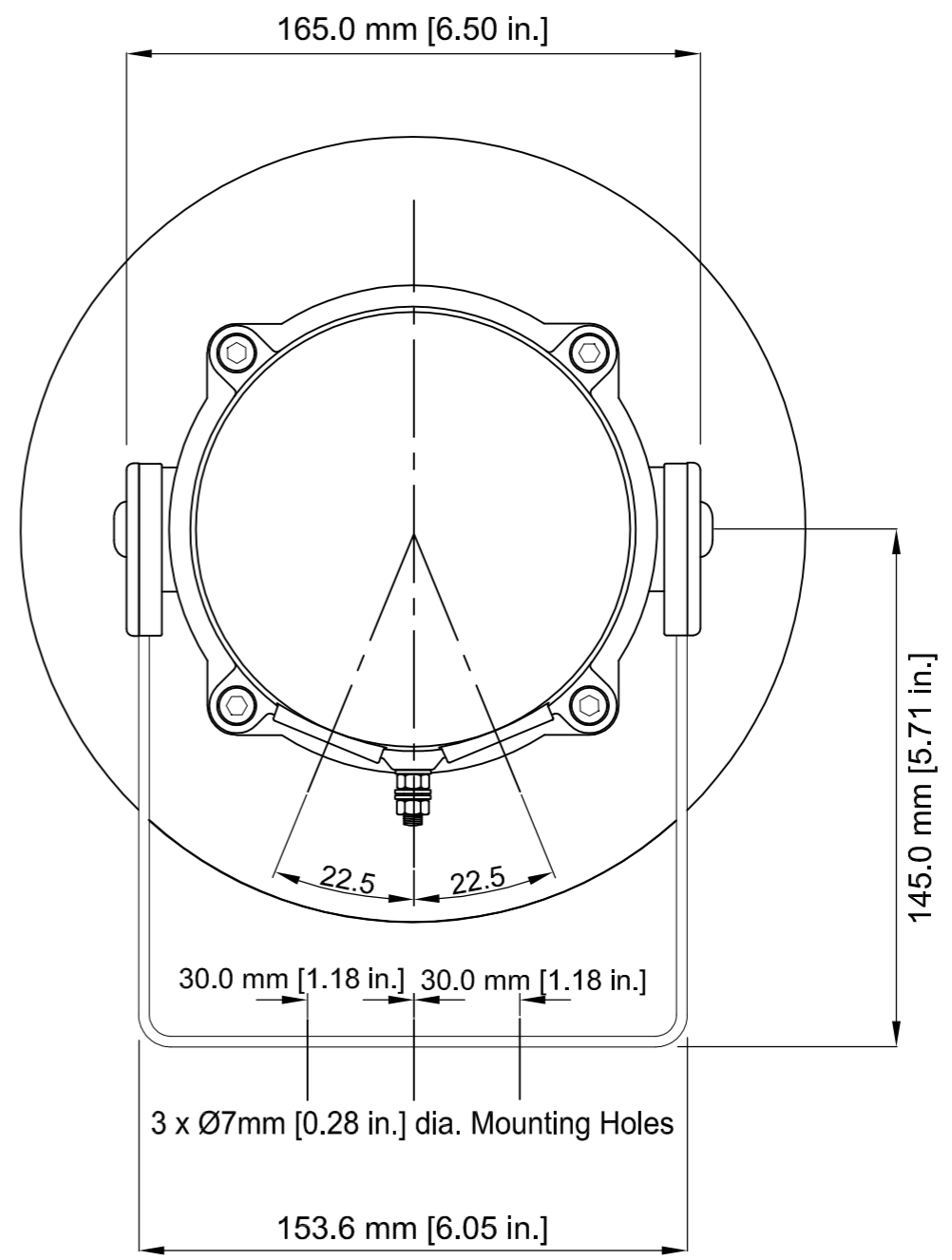
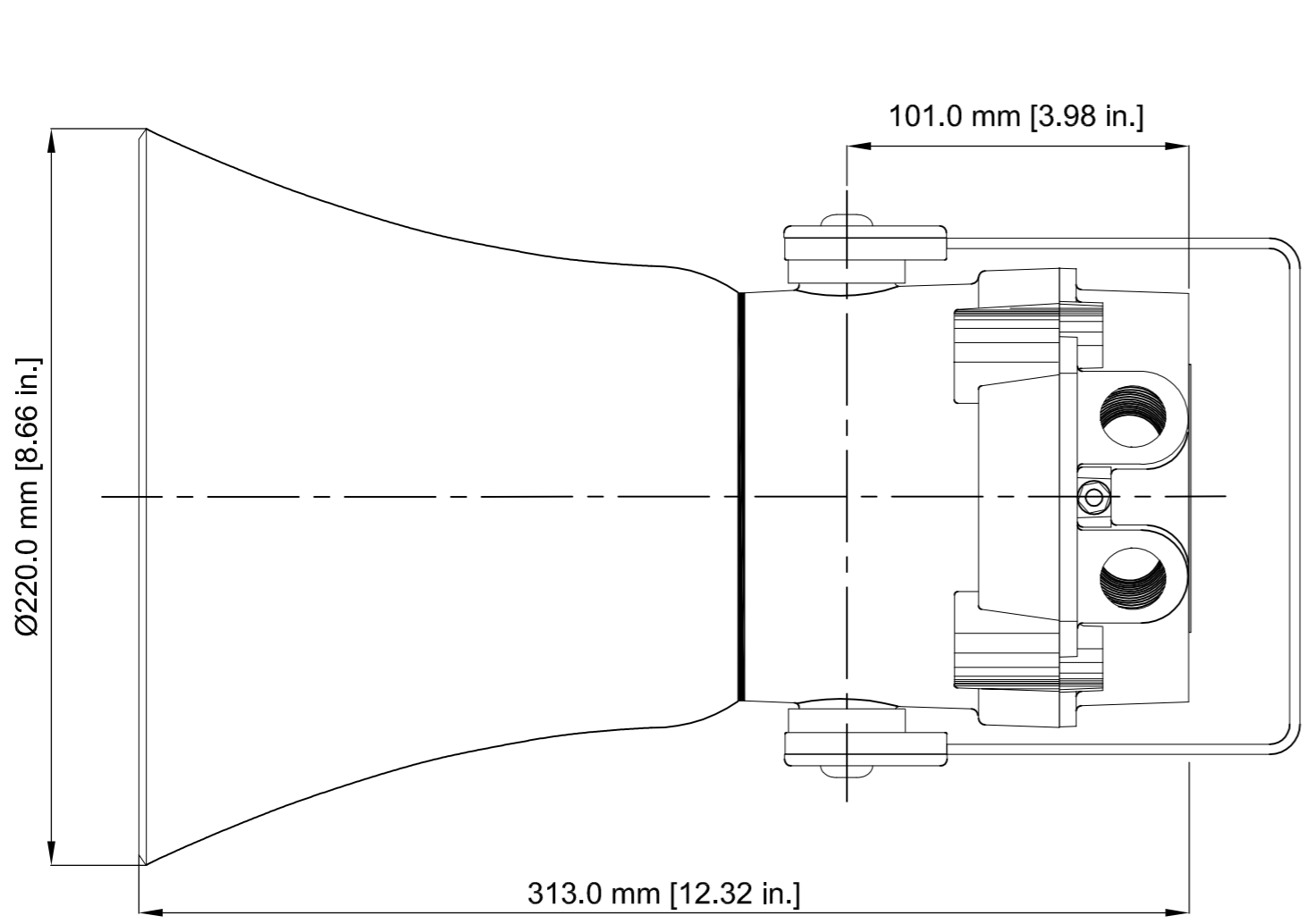


ISSUE	MOD No.	INITIAL/DATE
A		INTRODUCTION OF PART GU 28-08-09
B		UPDATED TO DUAL DIMS. RSR 24-06-13



E2S PART NO.	DESCRIPTION	DATA REFERENCE
A131...	A131 HIGH LEVEL AUDIBLE WARNING SYSTEM	3.11.010
BExH120...	BExH120 & BExDH120 ZONE 1, 2, 21 & 22 'HOOTRONIC' SIREN	1.22.060
BExL25...	BExL25/BExDL25 PA LOUDSPEAKERS (Ex d VERSION)	1.22.120
BExS120...	BExS120/BExDS120 ALARM SOUNDERS (Ex d VERSION)	1.22.040

WHERE APPLICABLE '-UL' VERSIONS ARE COVERED BY THIS OUTLINE DRAWING.

DRAWING TO BS8888:2000 GEOMETRIC TOLERANCES TO ISO1101:1983 LINEAR DIMENSIONAL TOLS ANGULAR DIMENSIONAL TOLS	DRAWN G. UDOWICZENKO	DATE 26-08-09	SURFACE FINISH	WEIGHT (Kg)	THIS DRAWING AND ANY INFORMATION OR DESCRIPTIVE MATTER THEREIN IS COMMUNICATED IN CONFIDENCE AND IS THE COPYRIGHT PROPERTY OF EUROPEAN SAFETY SYSTEMS LTD. NEITHER THE WHOLE OR ANY EXTRACT MAY BE DISCLOSED, LOANED, COPIED OR USED FOR MANUFACTURING OR TENDERING PURPOSES WITHOUT THEIR WRITTEN CONSENT. EUROPEAN SAFETY SYSTEMS LTD. AS PER LATEST DATE OF ISSUE SHOWN ABOVE	 EUROPEAN SAFETY SYSTEMS LTD IMPRESS HOUSE MANSELL ROAD ACTON LONDON W3 7QH WWW.E2S.COM	ALL DIMENSIONS IN MM IF IN DOUBT, ASK - DO NOT SCALE	 A2
	CHECKED	DATE	MATERIAL	TITLE BExS120D SOUNDER OUTLINE				
	APPROVED	DATE	ALTERNATIVE MATERIAL	SCALE NTS			SHEET 1 OF 1	DRAWING NUMBER SK0114