

A

SPECTRA

Trumpet Horn
IP Rating: IP65
Temp: -25 °C to +50 °C
Unit weight: 148g
CE

Order code Voltage
H100T030G 12-30V AC/DC
• 12V dc 10mA
• 24V dc 24mA
• 12V ac 50/60Hz 30mA
• 24V ac 50Hz 62mA

H100T230G 40-260V AC/DC
• 48V dc 15mA
• 48V ac 50/60Hz 25mA
• 115V dc 6mA
• 230V dc 3mA
• 115V ac 50/60Hz 19mA
• 230V ac 50/60Hz 10mA

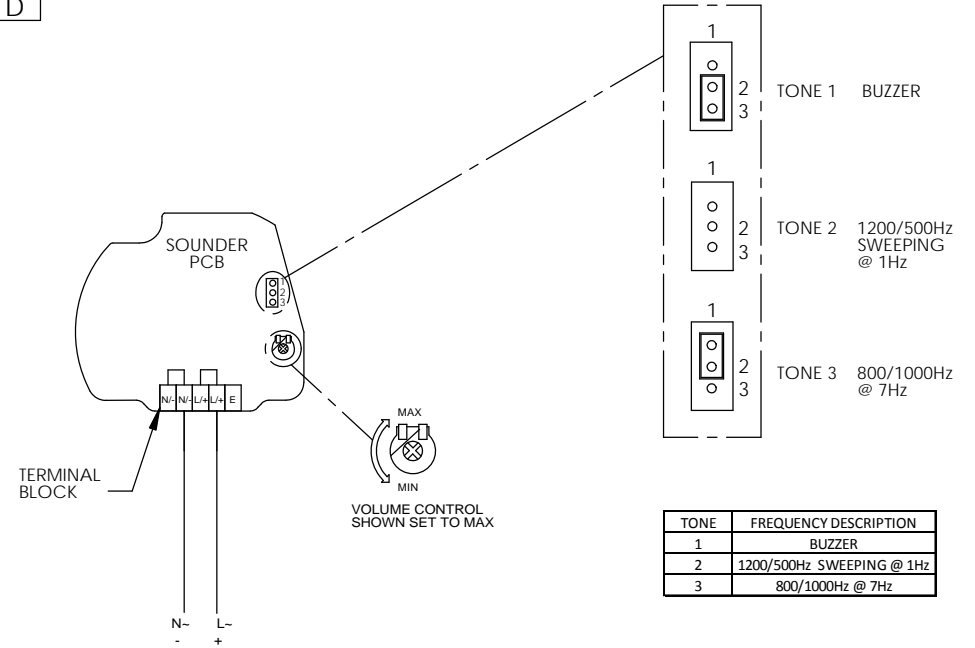
H100 T

Dimensions : 94.2 x 177.5mm
1.5mm² terminals
Cable entry: 1 x 5-7mm push
through grommet

Tel : +44 (0)2 8743 8880 Fax : +44 (0)20 8740 4200
mail : sales@e2s.com web : www.e2s.com



D



TONE	FREQUENCY DESCRIPTION
1	BUZZER
2	1200/500Hz SWEEPING @ 1Hz
3	800/1000Hz @ 7Hz



B

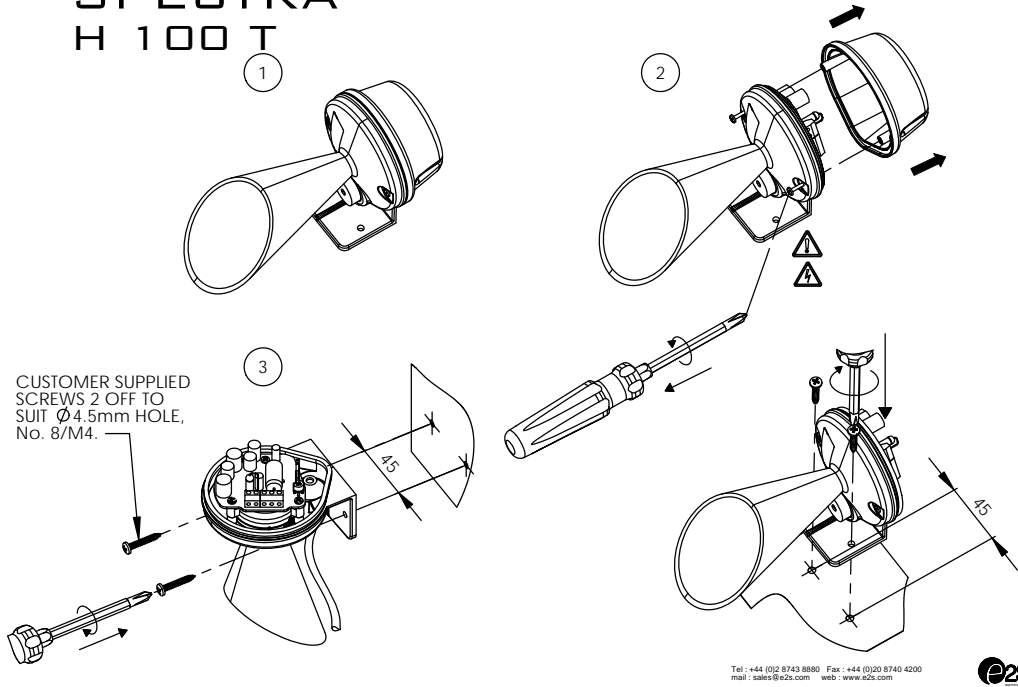
⚠ ATTENTION: Installation must be carried out by an electrician in compliance with the latest codes and regulations.

⚠ ATTENTION: Disconnect from power source before installation or service to prevent electric shock.

C

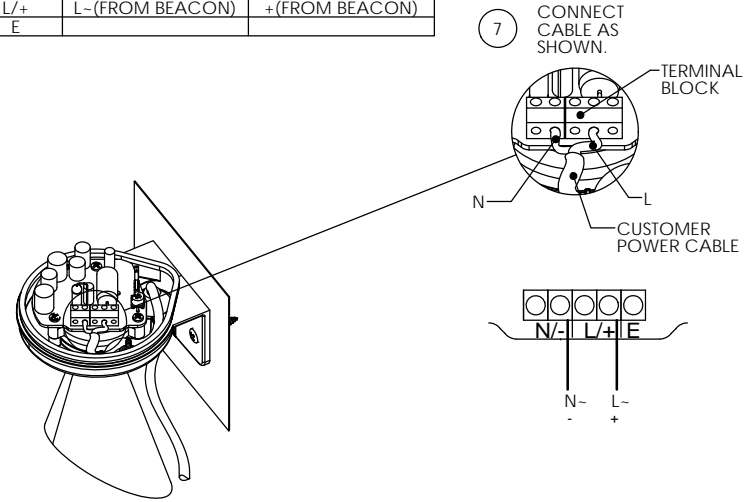


A SPECTRA H 100 T

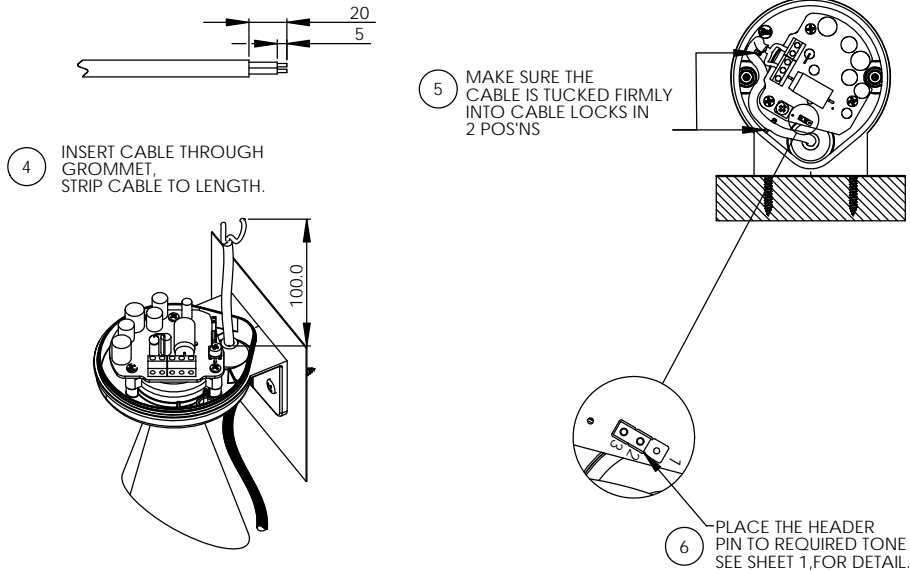


C

TERMINAL BLOCK	A/C INPUT	D/C INPUT
N/-	N-	-
N/-	N-(FROM BEACON)	-(FROM BEACON)
L/+	L-	+
L/+	L-(FROM BEACON)	+(FROM BEACON)
E		



B



D

