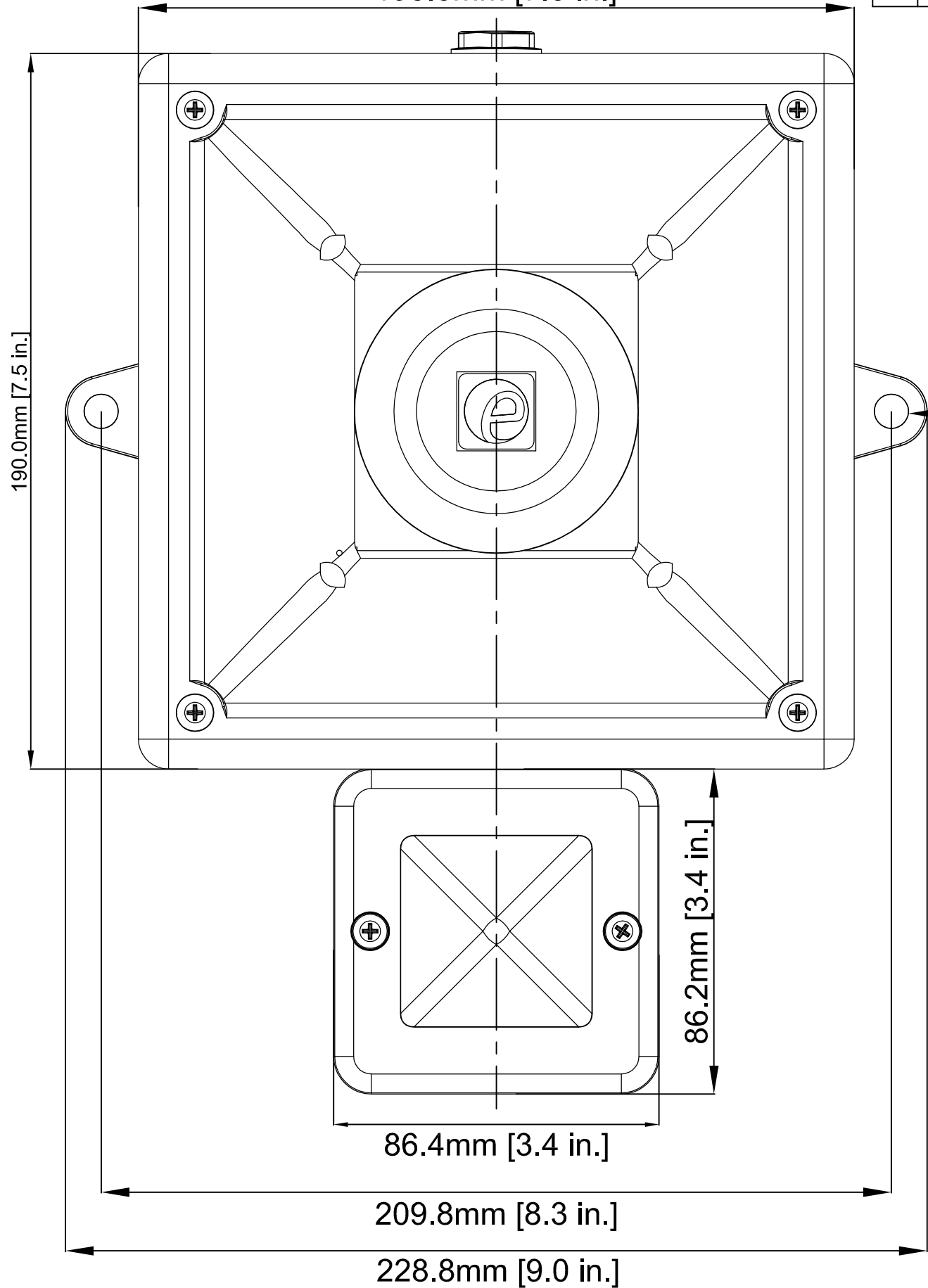
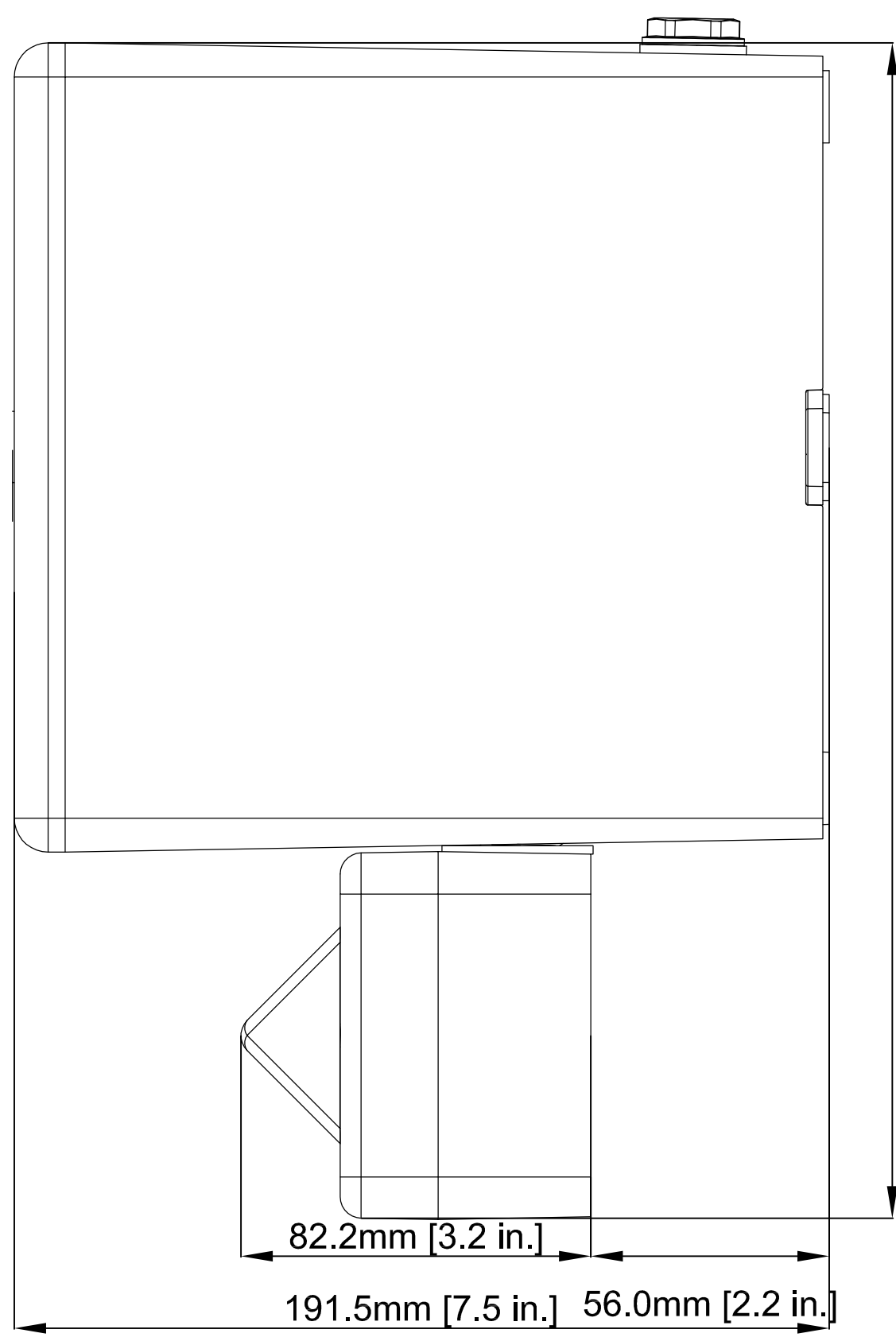


ISSUE	MOD No.	INITIAL/DATE
A		INTRODUCTION OF PART RSR 10-06-13



Ø9.0mm [Ø0.35 in.]

E2S PART NO.	DESCRIPTION	DATA REFERENCE
AL121AXH...	AL121AXH APPELLO X RECORDABLE SOUNDER & LED BEACON	2.32.060
AL121AXX...	AL121AXX APPELLO X RECORDABLE SOUNDER & XENON BEACON	2.32.050
AL121H...	AL121H ALARM SOUNDER & LED BEACON	2.31.240
AL121X...	AL121X ALARM SOUNDER & XENON BEACON (FORWARD FACING BEACON CONFIGURATION)	2.31.230
HAL121H...	HAL121H ELECTRONIC SIREN, BUZZER, HOOTER & BELL WITH LED BEACON	2.33.020
HAL121X...	HAL121X ELECTRONIC SIREN, BUZZER, HOOTER & BELL WITH XENON BEACON (FORWARD FACING BEACON CONFIGURATION)	2.33.010

WHERE APPLICABLE '-UL' VERSIONS ARE COVERED BY THIS OUTLINE DRAWING.

DRAWING TO BS8888:2000 GEOMETRIC TOLERANCES TO ISO1101:1983 LINEAR DIMENSIONAL TOLS ANGULAR DIMENSIONAL TOLS	STANDARDS	DRAWN	DATE	SURFACE FINISH	WEIGHT (Kg)	THIS DRAWING AND ANY INFORMATION OR DESCRIPTIVE MATTER THEREIN IS COMMUNICATED IN CONFIDENCE AND IS THE COPYRIGHT PROPERTY OF EUROPEAN SAFETY SYSTEMS LTD. NEITHER THE WHOLE OR ANY EXTRACT MAY BE DISCLOSED, LOANED, COPIED OR USED FOR MANUFACTURING OR TENDERING PURPOSES WITHOUT THEIR WRITTEN CONSENT.
		R. S. RAIT	10-06-13			
		CHECKED	DATE	MATERIAL		
	R. N. POTTS	10-06-13				EUROPEAN SAFETY SYSTEMS LTD. AS PER LATEST DATE OF ISSUE SHOWN ABOVE
	APPROVED	DATE	ALTERNATIVE MATERIAL			
	R. N. POTTS	10-06-13				

EUROPEAN SAFETY SYSTEMS LTD
 IMPRESS HOUSE
 MANSELL ROAD
 ACTON
 LONDON W3 7QH
 WWW.E2S.COM

ALL DIMENSIONS IN MM IF IN DOUBT, ASK - DO NOT SCALE			 A2
TITLE AL121 RANGE - COMBINED SOUNDER/BEACON UNIT OUTLINE			
SCALE	SHEET	DRAWING NUMBER	
1:1	1 OF 1	SK0262	