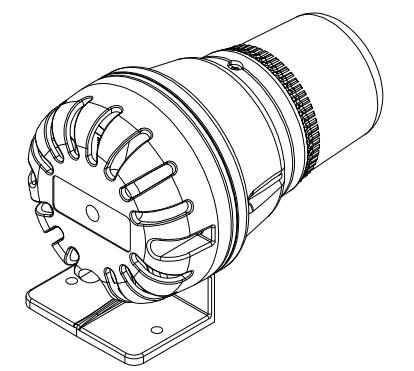
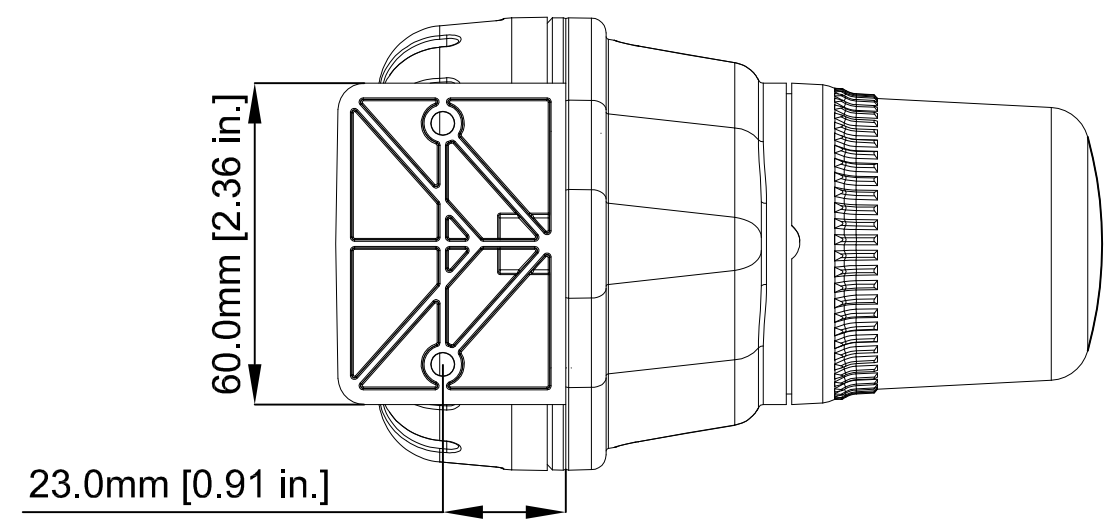
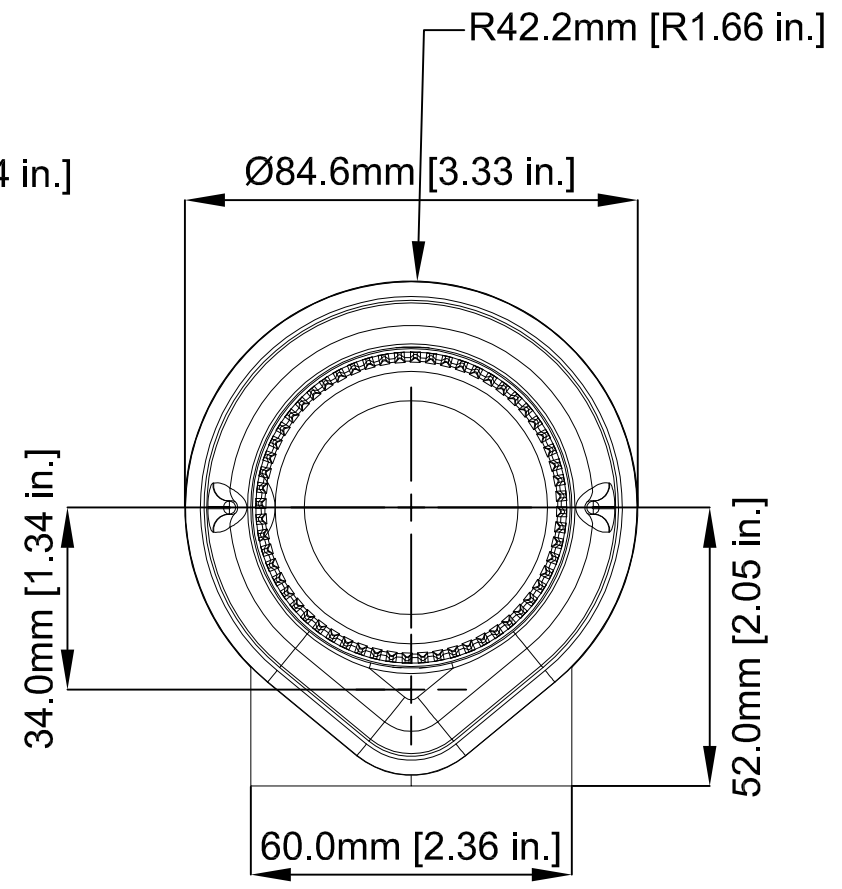
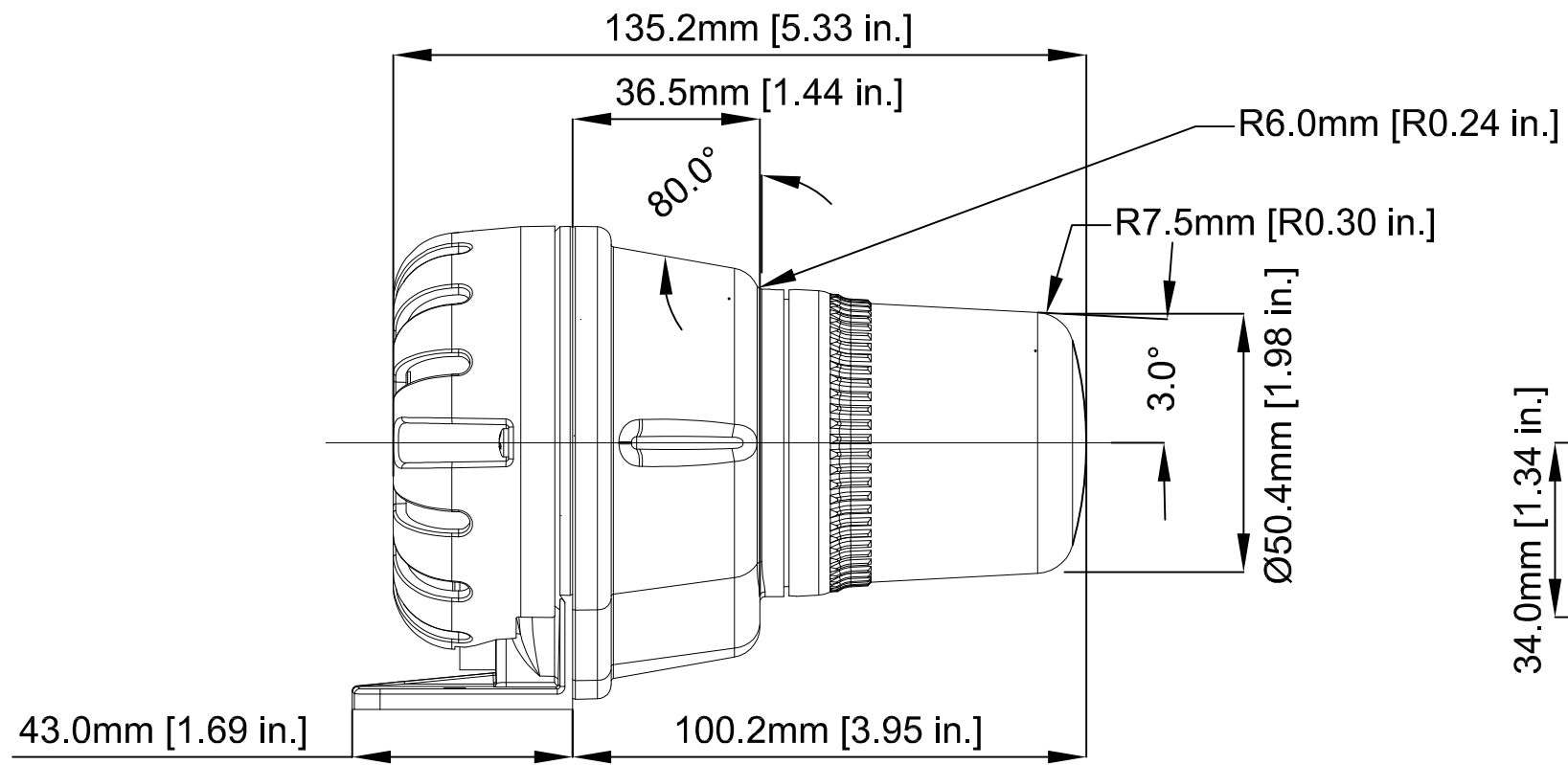
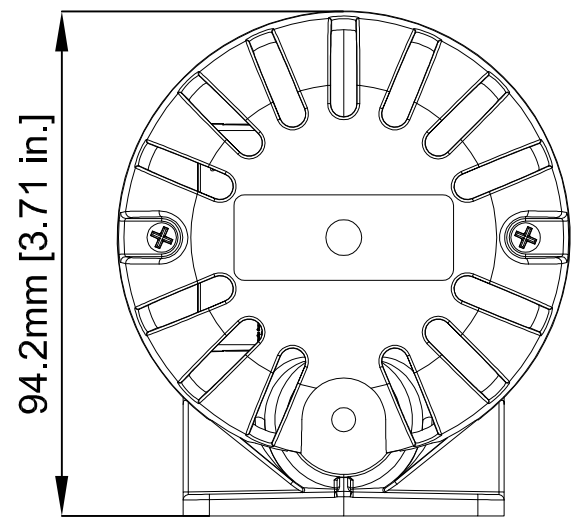
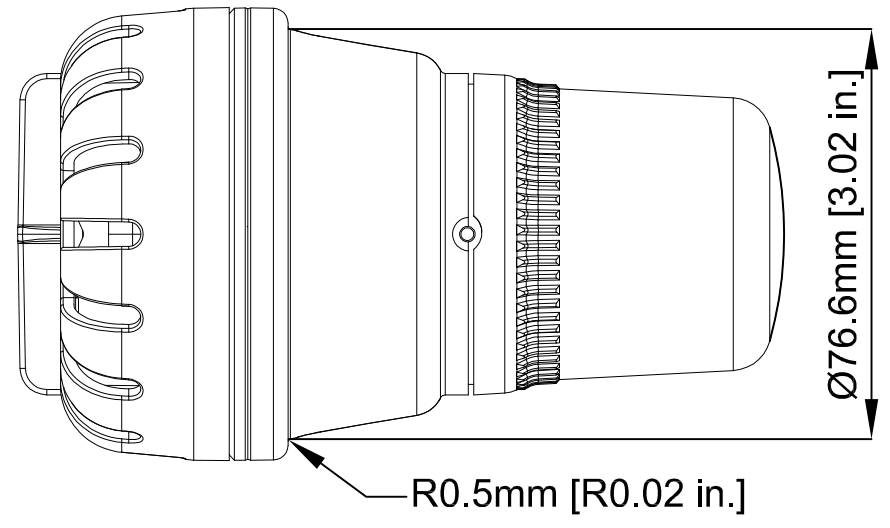


ISSUE	MOD No.	REASON - INITIAL - DATE
A		INTRODUCTION OF ASSEMBLY OUTLINE FOR CARTON DESIGN, STC 09-03-09
B		UPDATED TO DUAL DIMS. RSR 26-06-13

E2S PART NO.	DESCRIPTION	DATA REFERENCE
H100BL...	H100BL SIGNAL HORN & LED BEACON	2.31.290
H100BX...	H100BX SIGNAL HORN & XENON STROBE BEACON	2.31.280

WHERE APPLICABLE '-UL' VERSIONS ARE COVERED BY THIS OUTLINE DRAWING.



SCALE 1 : 2

DRAWING TO BS8888:2000 GEOMETRIC TOLERANCES TO ISO1101:1983 LINEAR DIMENSIONAL TOLS ANGULAR DIMENSIONAL TOLS	DRAWN R.N.POTTS	DATE 09:03:09	SURFACE FINISH FINISH	WEIGHT (Kg)	THIS DRAWING AND ANY INFORMATION OR DESCRIPTIVE MATTER THEREIN IS COMMUNICATED IN CONFIDENCE AND IS THE COPYRIGHT PROPERTY OF EUROPEAN SAFETY SYSTEMS LTD. NEITHER THE WHOLE OR ANY EXTRACT MAY BE DISCLOSED, LOANED, COPIED OR USED FOR MANUFACTURING OR TENDERING PURPOSES WITHOUT THEIR WRITTEN CONSENT.	 EUROPEAN SAFETY SYSTEMS LTD IMPRESS HOUSE MANSELL ROAD ACTON LONDON W3 7QH WWW.E2S.COM	ALL DIMENSIONS IN MM IF IN DOUBT, ASK - DO NOT SCALE	 A2
	STANDARDS SPECTRA	CHECKED R.N.POTTS	DATE 09:03:09	MATERIAL			TITLE OUTLINE DRAWING H100BX, H100B BUZZER WITH BEACON	
	APPROVED R.N.POTTS	DATE 09:03:09	ALTERNATIVE MATERIAL	EUROPEAN SAFETY SYSTEMS LTD, AS PER LATEST DATE OF ISSUE SHOWN ABOVE	SCALE 1:1	SHEET 1 OF 1	DRAWING NUMBER SK0062	