

1

SPECTRA B300SND

Sounder
 100 db(a) Output Sounder
 3 Tones selectable
 IP Rating: IP65
 Temp : -25°C to +50°C
 Unit weight: 245g
 CE

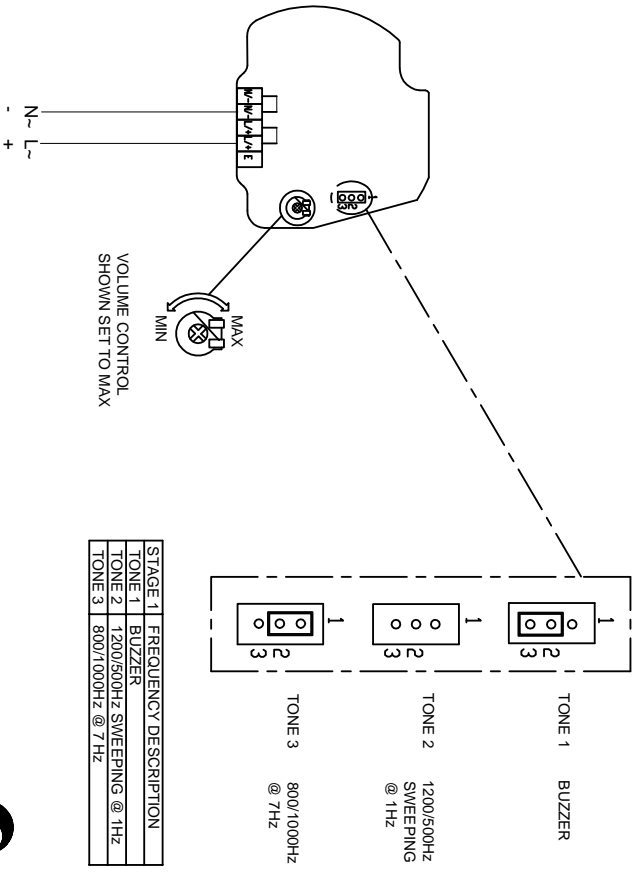
Dimensions : Ø100 x 103mm
 1.5mm² terminals
 Cable entry: 1 x 5-7mm push through
 grommet
 1 x M20 cable entry (IP65)

Order code **Voltage** **Current**
 B300SND030G 10-30V DC/AC 24mA (24V dc)
 B300SND230G 40-230V DC/AC 15mA (48V ac 50Hz)
 Multi-unit connection possible using connector supplied
 B450 and B350 units are interconnectable

Tel : +44 (0)20 8743 8880 Fax : +44 (0)20 8740 4200
 email : sales@e2s.com web : www.e2s.com



3



2

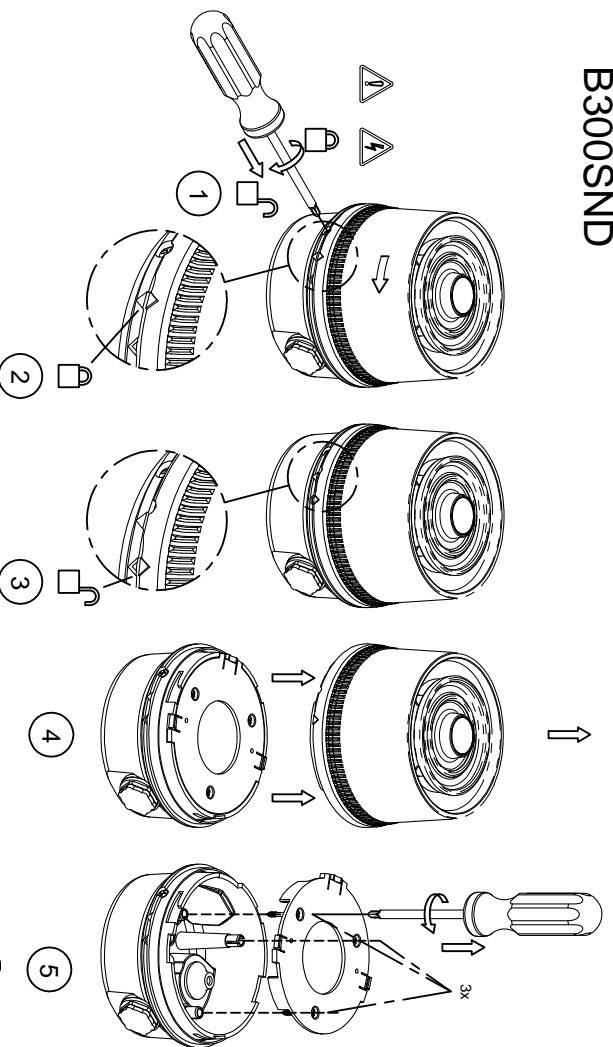
ATTENTION: Installation must be carried out by an electrician in compliance with the latest codes and regulations.

ATTENTION: Disconnect from power source before installation or service to prevent electric shock.



A SPECIIRA

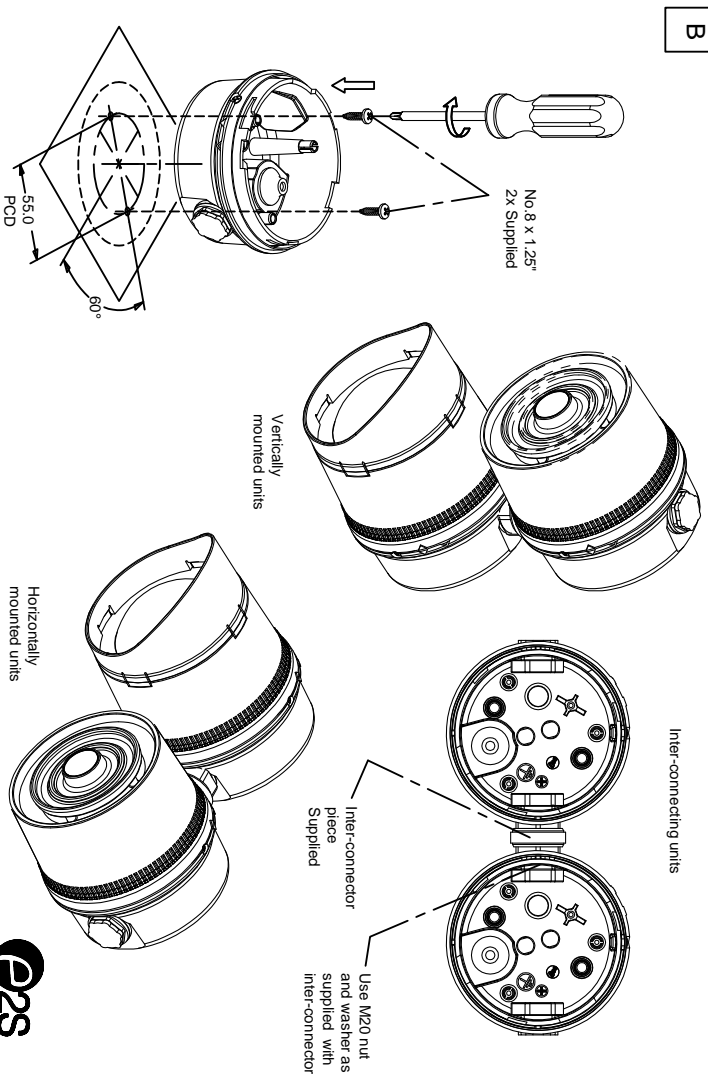
B300SND



Tel : +44 (0)20 8743 8880 Fax : +44 (0)20 8740 4200
 mail : sales@e2s.com web : www.e2s.com

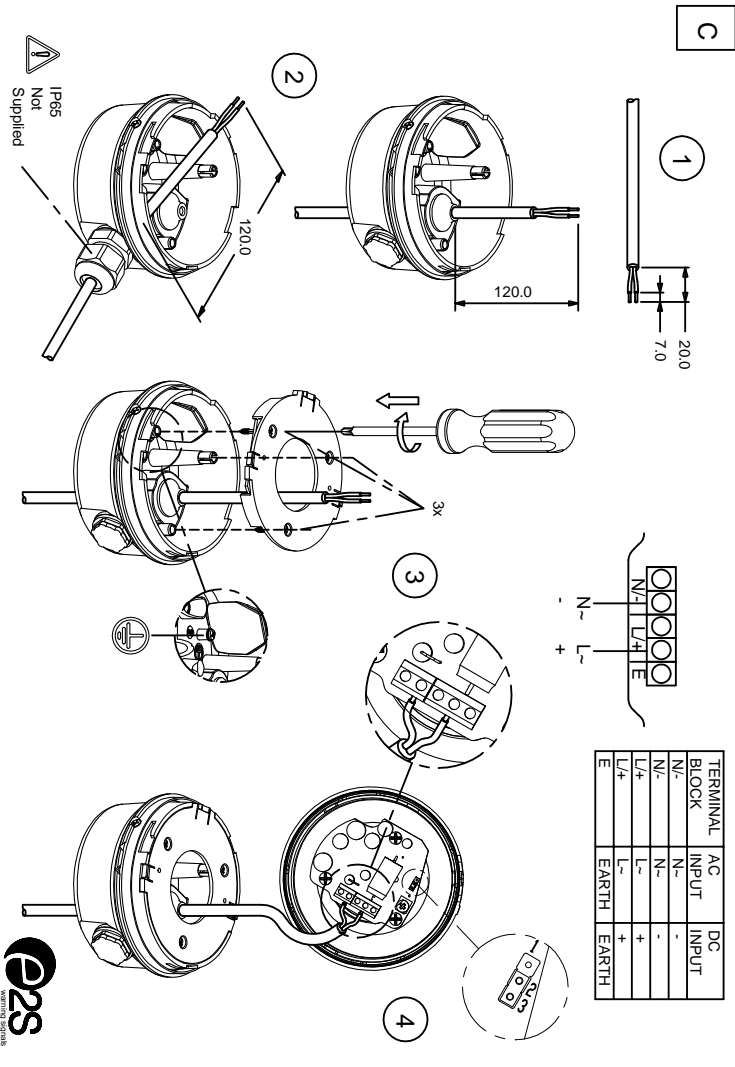


B



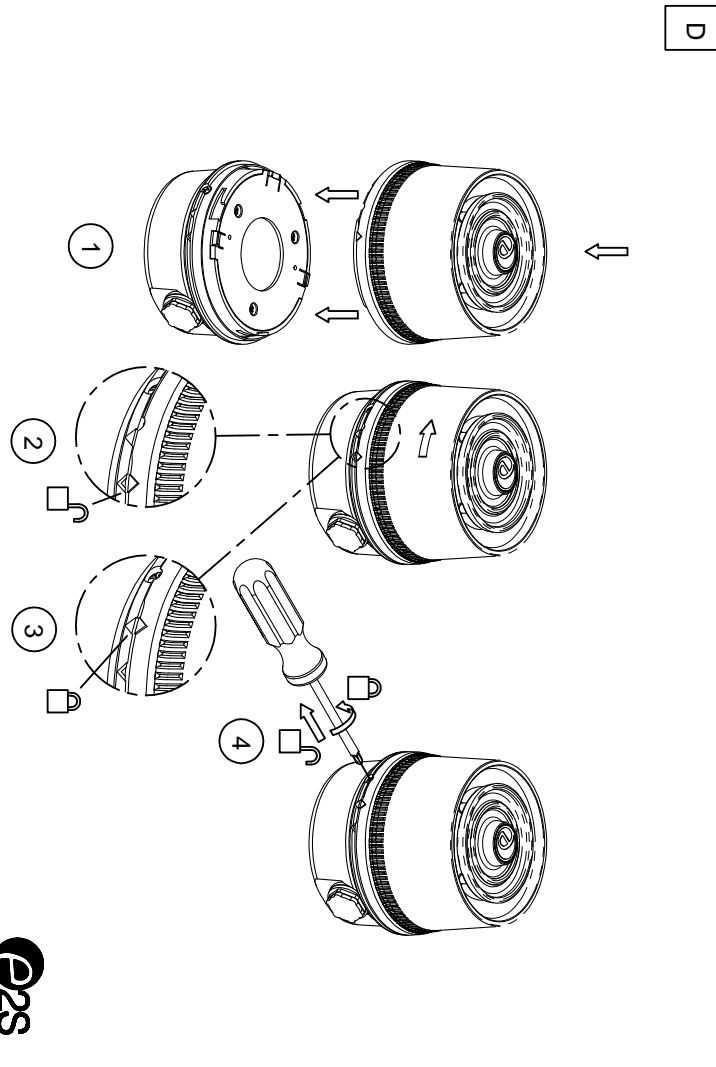
Dimensions in mm

C



TERMINAL BLOCK	AC INPUT	DC INPUT
N-	N-	-
N/	N-	-
L/	L-	+
L/+	L-	+
E	EARTH	EARTH

D



Dimensions in mm



0119100-0011-1S-SHTZ_ISSUE_A