

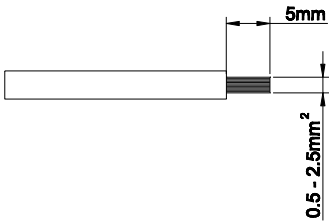
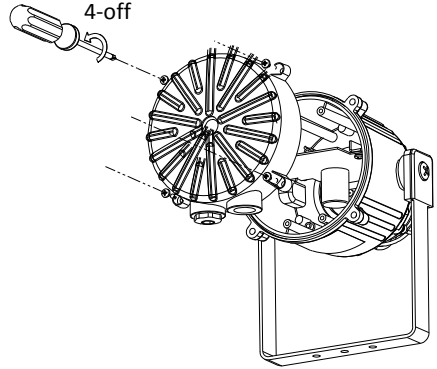
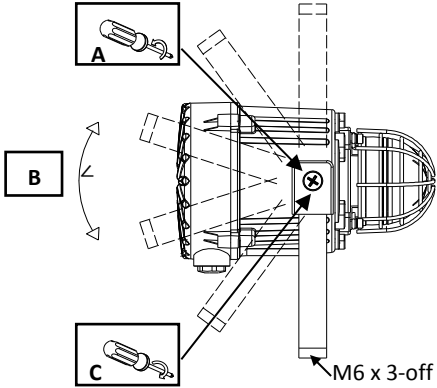
Xenon Beacon
 5J & 10J Variants available
 Synchronised
 IP Rating: IP67/66 & Type 4/4X/13
 Operating Temperature Range:
 -25°C to +55°C
 Unit Weight: 1.48Kg
 CE, EAC, Russian Maritime
 Register and GOST-P approved
 M20 and/or 1/2" NPT Entries

Unit Type Code	Nominal Voltage	Voltage Range	Nominal Current
MBX05DC012	12 V DC	10-14V DC	750
MBX05DC024	24 V DC	20-28V DC	270
MBX05DC048	48V DC	42-54V DC	180
MBX05AC115	115V DC	115V +/-10% AC 50/60Hz	140
MBX05AC230	230V DC	230V +/-10% AC 50/60Hz	55
MBX10DC012	12 V DC	10-14V DC	1450
MBX10DC024	24 V DC	20-28V DC	660
MBX10DC048	48V DC	42-54V DC	340
MBX10AC115	115V DC	115V +/-10% AC 50/60Hz	250
MBX10AC230	230V DC	230V +/-10% AC 50/60Hz	110

⚠ ATTENTION: Installation must be carried out by an electrician in compliance with the latest codes and regulations.

⚠ ATTENTION: Disconnect from power source before installation or service to prevent electric shock.

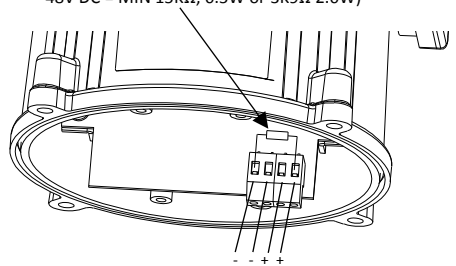




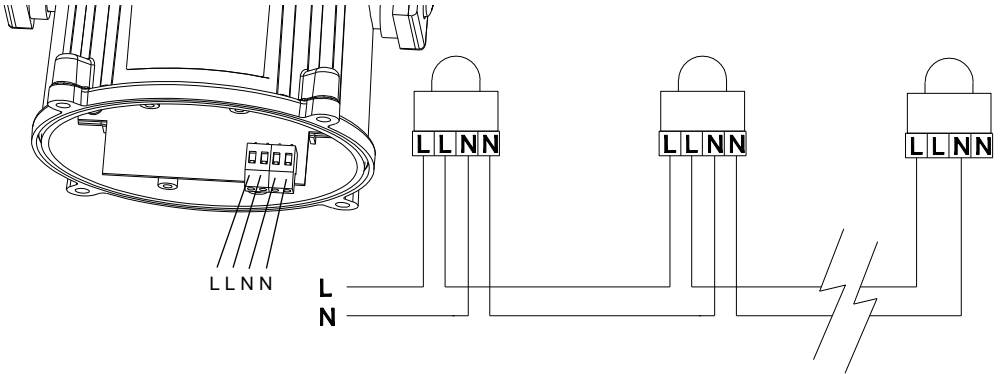
Strip cable 5mm.
 Terminals accept cable 0.5-2.5mm²
 Use suitable cable glands with
 suitable IP rating

Optional End of Line Monitoring (DC Only)

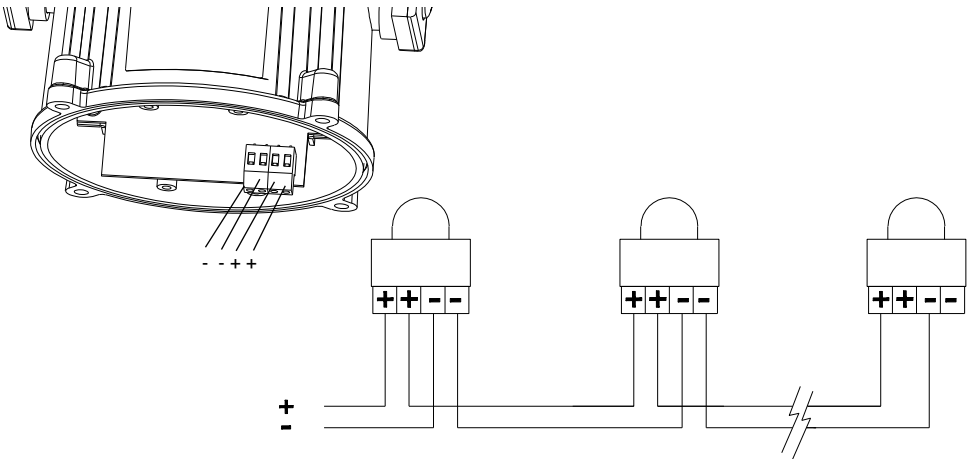
DC Line Monitoring Resistor
 (Recommended:
 24V DC = MIN 3K9Ω, 0.5W or 1KΩ 2.0W
 48V DC = MIN 15KΩ, 0.5W or 3K9Ω 2.0W)

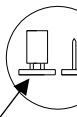
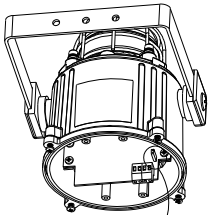


AC



DC



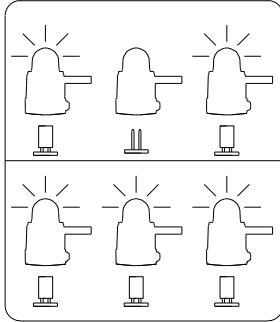


1Hz
(Default)

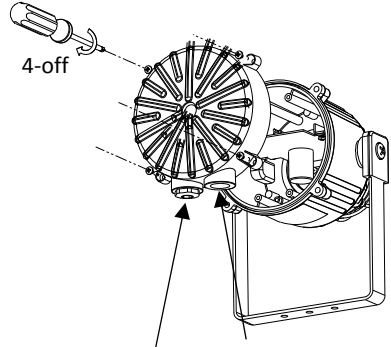


500ms
Delayed
start

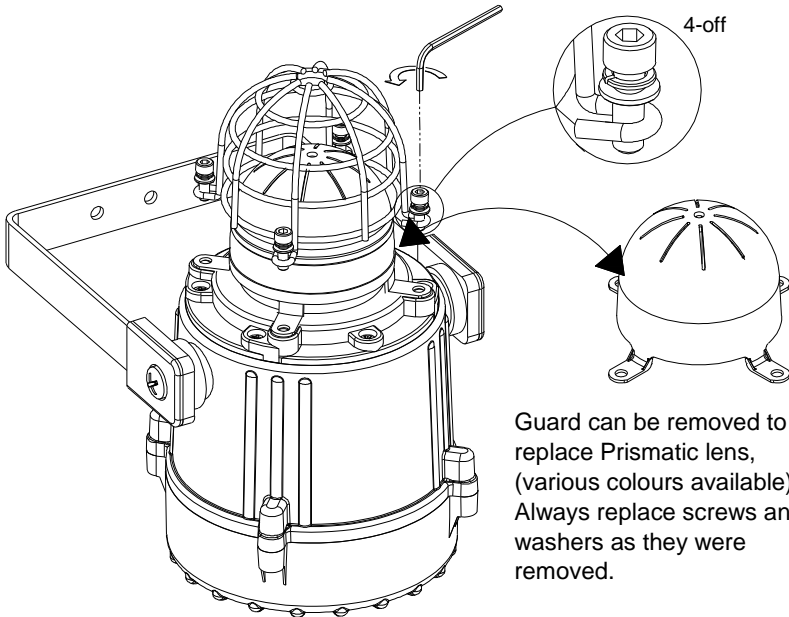
Alternating



Synchronised (Default)



Order code	Entry Type	Entry Type	Stopping Plugs Provided
MBX05AC230[A]	M20	½" NPT	1-off M20 & 1-off ½" NPT
MBX05AC230[B]	M20	M20	1-off M20 only
MBX05AC230[C]	½" NP	½" NPT	1-off ½" NPT only



Guard can be removed to replace Prismatic lens, (various colours available). Always replace screws and washers as they were removed.