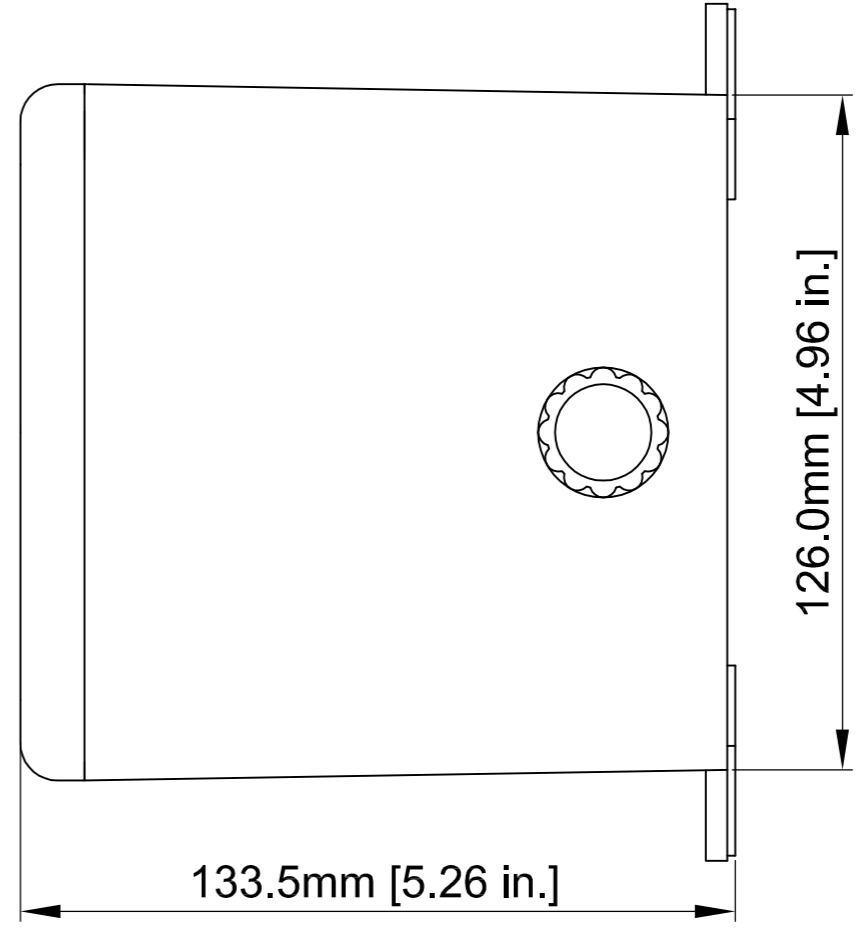
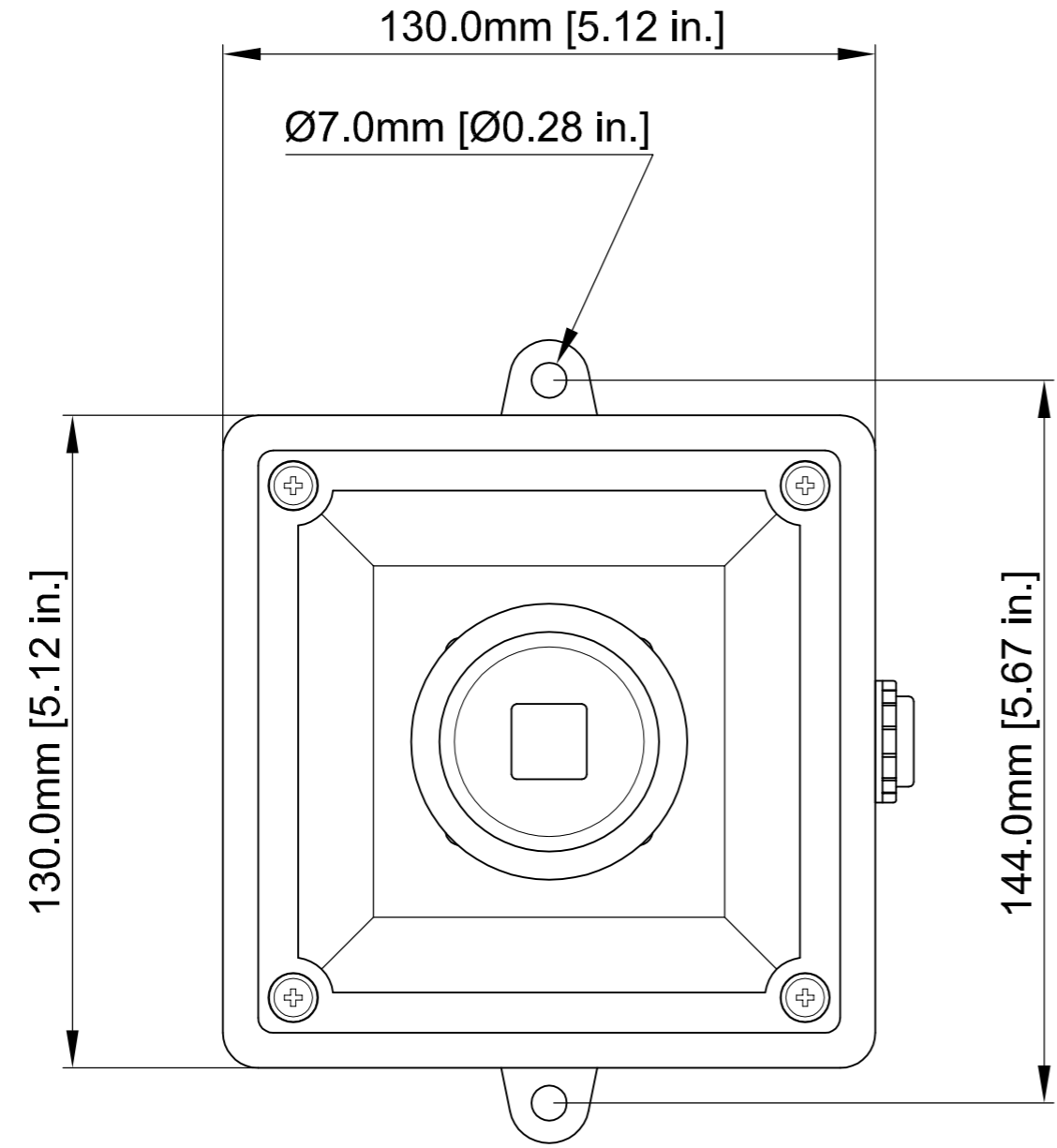


ISSUE	MOD No.	INITIAL/DATE
A		INTRODUCTION OF PART GU 14-08-09
B		UPDATED TO DUAL DIMS. RSR 21-06-13



E2S PART NO.	DESCRIPTION	DATA REFERENCE
A105N...	A105N ALARM SOUNDER	2.21.060
A105NAPPS...	A105NAPPS APPELLO SYNCH.	2.22.050
A105NAX...	A105NAX APPELLO X (DC VERSION)	2.22.010
A105NSONTEL...	A105NSONTEL TELEPHONE INITIATED ALARM SOUNDER	2.21.070
HA105N...	HA105N ELECTRONIC SIREN, BUZZER, HOOTER & BELL	2.23.010
IS-A105N...	IS-A105N ALARM SOUNDER	1.12.020

WHERE APPLICABLE '-UL' VERSIONS ARE COVERED BY THIS OUTLINE DRAWING.

DRAWING TO BS8888:2000 GEOMETRIC TOLERANCES TO ISO1101:1983 LINEAR DIMENSIONAL TOLS ANGULAR DIMENSIONAL TOLS	DRAWN G. UDOWICZENKO	DATE 14-08-09	SURFACE FINISH	WEIGHT (Kg)	THIS DRAWING AND ANY INFORMATION OR DESCRIPTIVE MATTER THEREIN IS COMMUNICATED IN CONFIDENCE AND IS THE COPYRIGHT PROPERTY OF EUROPEAN SAFETY SYSTEMS LTD. NEITHER THE WHOLE OR ANY EXTRACT MAY BE DISCLOSED, LOANED, COPIED OR USED FOR MANUFACTURING OR TENDERING PURPOSES WITHOUT THEIR WRITTEN CONSENT.	 EUROPEAN SAFETY SYSTEMS LTD IMPRESS HOUSE MANSELL ROAD ACTON LONDON W3 7QH WWW.E2S.COM	ALL DIMENSIONS IN MM IF IN DOUBT, ASK - DO NOT SCALE	 A2
	CHECKED	DATE	MATERIAL	TITLE A105N RANGE - SOUNDER OUTLINE				
	APPROVED	DATE	ALTERNATIVE MATERIAL	SCALE 1:1			SHEET 1 OF 1	

© EUROPEAN SAFETY SYSTEMS LTD.
AS PER LATEST DATE OF ISSUE SHOWN ABOVE