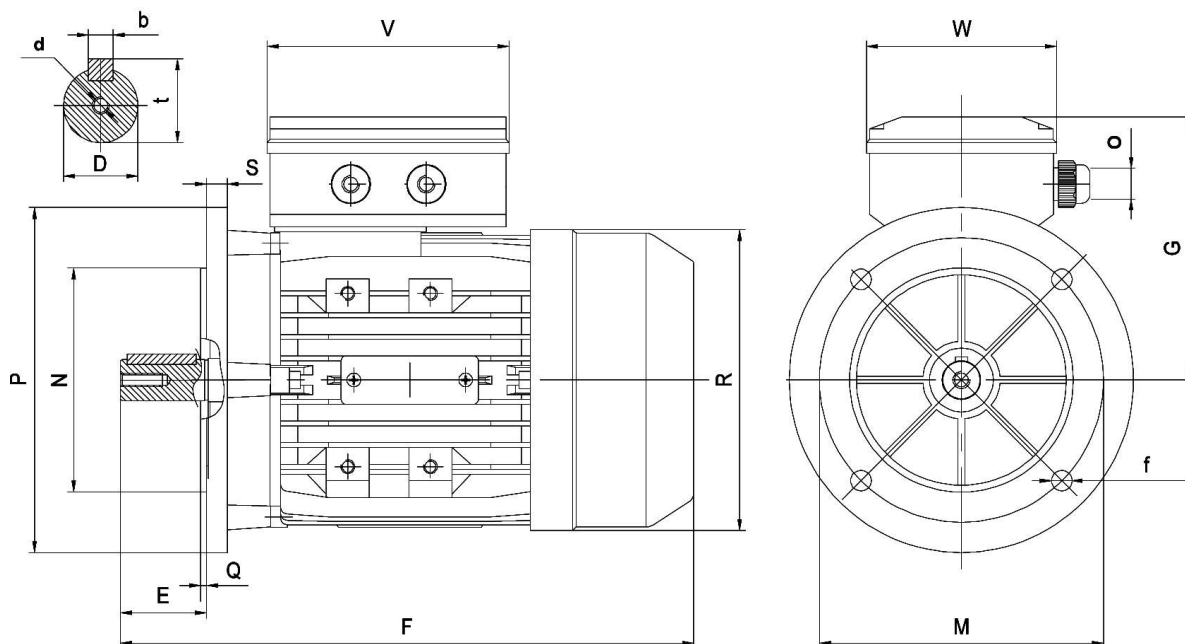


# MOTORI ELETTRICI / ELECTRIC MOTORS

## IM:B5 (3081)



SIZE	No.Poles	DIMENSION overall dimensions in mm																	
		D	d	E	F	f	G	M	N	O	P	Q	R	S	V	W	b	t	
56	2-4-6	9j6	-	20	194	7	95	101.5	80j6	M16	120	2.5	114	9	73	73	3	10.2	
63		11j6	M4x0.7	23	220	10	100	115	95j6	M16	140	3	128	9	80	80	4	12.5	
71		14j6	M5x0.8	30	255	10	105	130	110j6	M20	160	3	140	9	80	80	5	16	
80		19j6	M6x1	40	292	12	135	165	130j6	M20	200	3.5	160	12	105	105	6	21.5	
90S		24j6	M8x1.25	50	337	12	137	165	130j6	M20	200	3.5	175	12	105	105	8	27	
90L																			
100L		28j6	M10x1.5	60	386	15	147	215	180j6	M20 + M20	250	4	200	15	105	105	8	31	
112M		28j6	M10x1.5	60	393	14	165	215	180j6	M25 + M25	250	4	228	13	115	122	8	31	
132S		38k6	M12x1.75	80	493	15	185	265	230j6	M25 + M25	300	4	258	14	115	122	10	41	
132M																			
160M		42	M16x36	110	608 652	19	243	300	250	M32x1.5+ M25x1.5	350	5	312	15				12	45
160L																			
180M		48	M16x36	110	720 770	19	265 265	300	250	M32x1.5+ M25x1.5	350	5	355	15				14	51,5
180L																			
200L		55	M20x42	110	780	19	305	350	300	2-M36x2	400	5	397	17				16	59