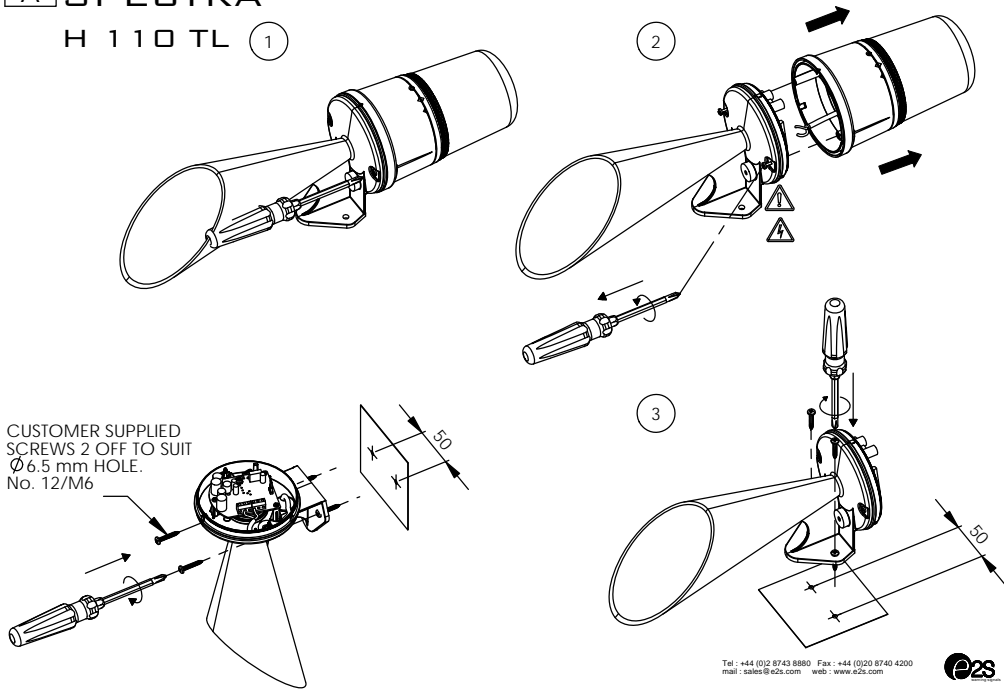
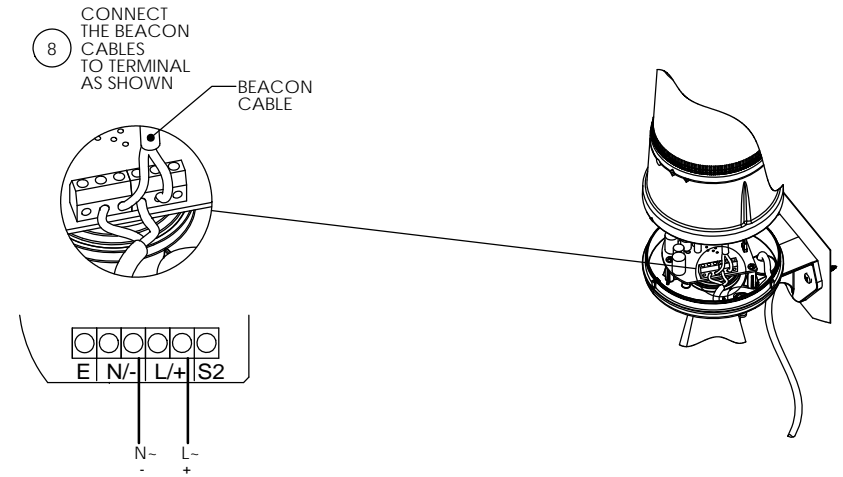


A SPECTRA

H 110 TL 1

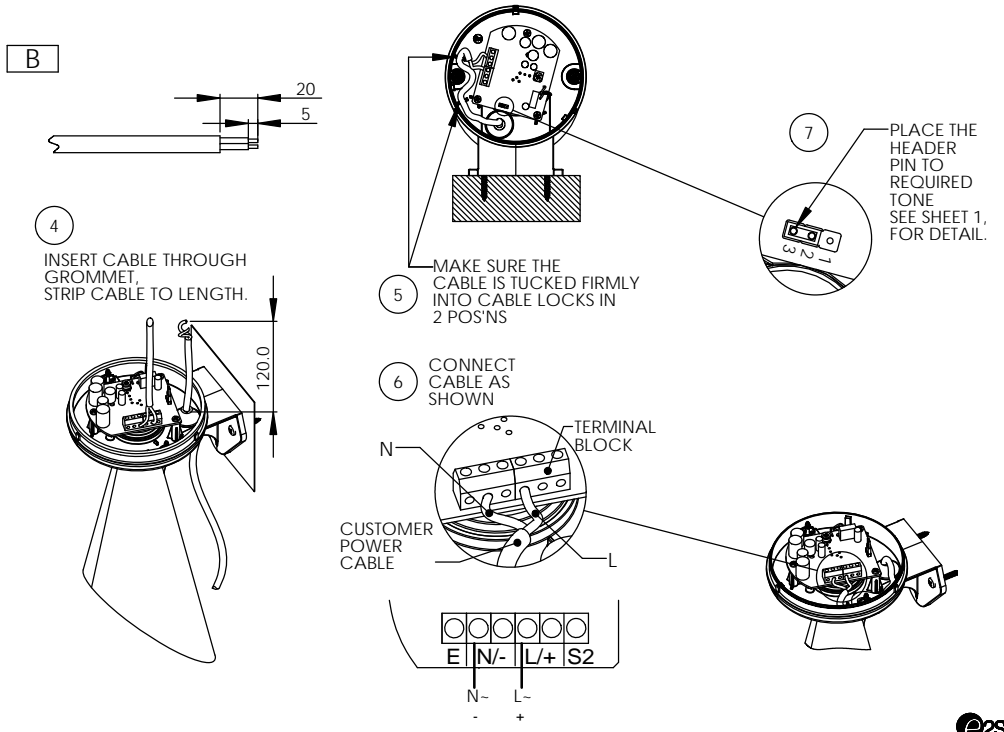


C

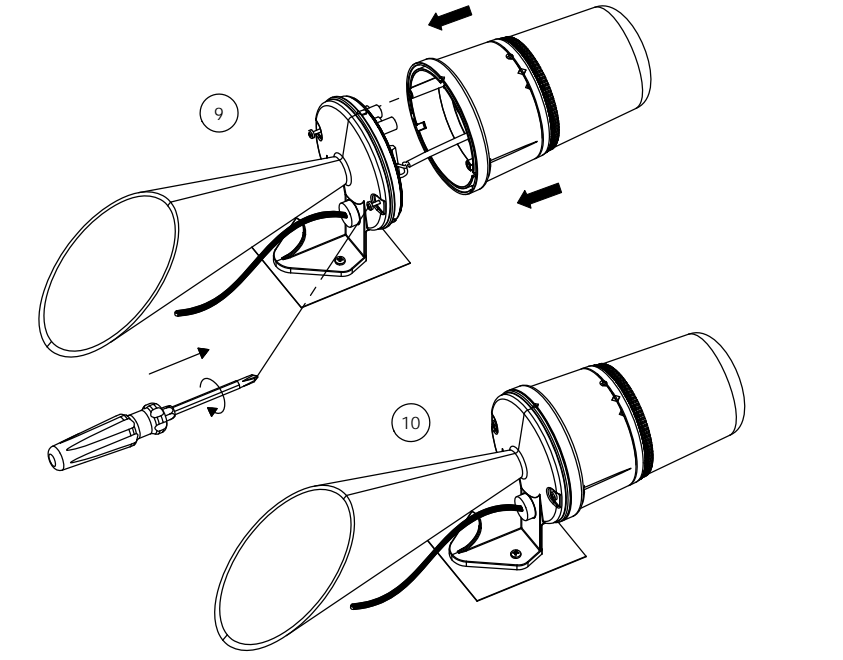


TERMINAL BLOCK	A/C INPUT	D/C INPUT
E		
N/-	N-	-
N/-	N- (FROM BEACON)	- (FROM BEACON)
L/+	L-	+
L/+	L- (FROM BEACON)	+ (FROM BEACON)
S2	SWITCH TO L-	SWITCH TO -

B



D



Dimensions in mm

A

SPECTRA

Trumpet Horn LED Array
 IP Rating: IP65
 Temp: -25°C to +50°C
 Unit weight: 606g
 CE

Order code Voltage
 H110TL030G/x 10-30V DC
 • 12V dc 52mA
 • 24V dc 105mA

• Beacon Current Consumption
 • 12V dc 265mA
 • 24V dc 130mA

H110TL048G/x 48V DC
 • 48V dc 42mA
 • Beacon Current Consumption
 • 48V dc 70mA

H110TL230G/x 90-260V AC/DC
 • 115V dc 16mA
 • 230V dc 8mA
 • 115V ac 50/60Hz 36mA
 • 230V ac 50/60Hz 18mA

• Beacon Current Consumption
 • 115V dc 17mA
 • 230V dc 9mA
 • 115V ac 50/60Hz 90mA
 • 230V ac 50/60Hz 50mA

H110TL

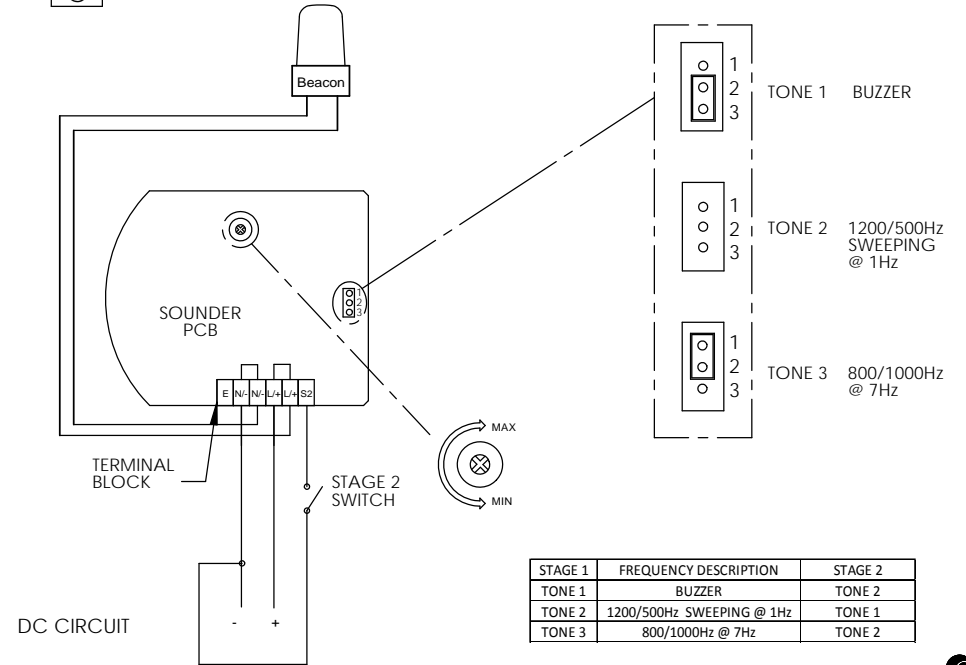
Dimensions : 135 x 462.9mm
 1.5mm² terminals
 Cable entry: 1 x 5-7mm push
 through grommet

x = Lens colour
 R = Red
 A = Amber
 B = Blue
 G = Green
 Y = Yellow

Tel : +44 (0)2 8743 8880 Fax : +44 (0)20 8740 4200
 mail : sales@e2s.com web : www.e2s.com



C



B

- ⚠ ATTENTION:** Installation must be carried out by an electrician in compliance with the latest codes and regulations.
- ⚠ ATTENTION:** Disconnect from power source before installation or service to prevent electric shock.
- ⚠ ATTENTION:** On strobe beacons allow a minimum of 2 minutes for hazardous high voltage to discharge from unit.
- ⚠ ATTENTION:** Lens on unit will be hot allow to cool prior to removal.

D

