

A

# SPECTRA

Trumpet Horn Xenon Strobe  
 IP Rating: IP65  
 Temp: -25 °C to +50 °C  
 Unit weight: 638g  
 CE

- Order code Voltage
- H110TX012G/x 12VDC
- 12V dc 52mA
  - 12V ac 50Hz 115mA
  - Beacon Current Consumption
  - 12V dc 500mA
  - 12V ac 50Hz 600mA

- H110TX024G/x 24VDC
- 24V dc 105mA
  - 24V ac 50Hz 215mA
  - Beacon Current Consumption
  - 24V dc 250mA
  - 24V ac 50Hz 300mA

- H110TX048G/x 48V AC/DC
- 48V dc 42mA
  - 48V ac 50Hz 68mA
  - Beacon Current Consumption
  - 48V dc 175mA
  - 48V ac 50Hz 250mA

- H110TX115G/x 115V AC
- 115V ac 50/60Hz 36mA
  - Beacon Current Consumption
  - 115V ac 50/60Hz 70mA

- H110TX230G/x 230V AC
- 230V ac 50/60Hz 18mA
  - Beacon Current Consumption
  - 230V ac 50/60Hz 35mA

# H110TX

Dimensions : 135 x 462.9mm  
 1.5mm<sup>2</sup> terminals  
 Cable entry: 1 x 5-7mm push through grommet

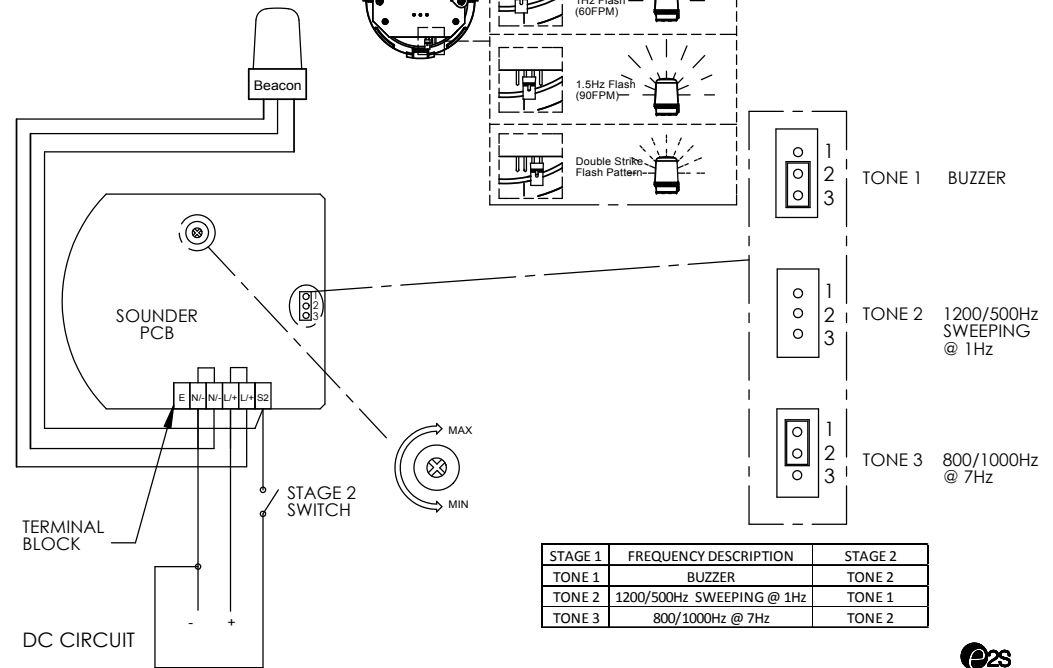
Xenon Strobe Flashing Beacon 5J @ 1 Hz  
 Three modes (DC Only) : Flashing 1Hz (default)  
 Flashing 1.5Hz (DC units Only)  
 Double Strike (DC Units Only),  
 Stage Switchable to Double Strike (DC Units Only)

x = Lens colour  
 R = Red A = Amber  
 B = Blue C = Clear  
 G = Green Y = Yellow

Tel : +44 (0)2 8743 8880 Fax : +44 (0)20 8740 4200  
 mail : sales@e2s.com web : www.e2s.com



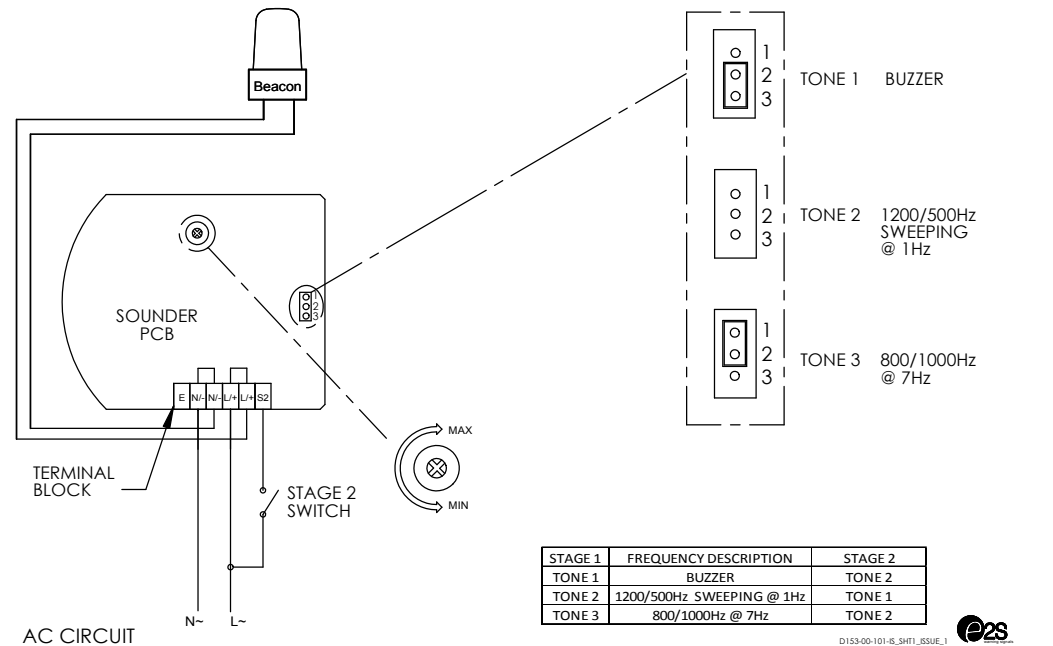
C



B

- ATTENTION:** Installation must be carried out by an electrician in compliance with the latest codes and regulations.
- ATTENTION:** Disconnect from power source before installation or service to prevent electric shock.
- ATTENTION:** On strobe beacons allow a minimum of 2 minutes for hazardous high voltage to discharge from unit.
- ATTENTION:** Lens on unit will be hot allow to cool prior to removal.

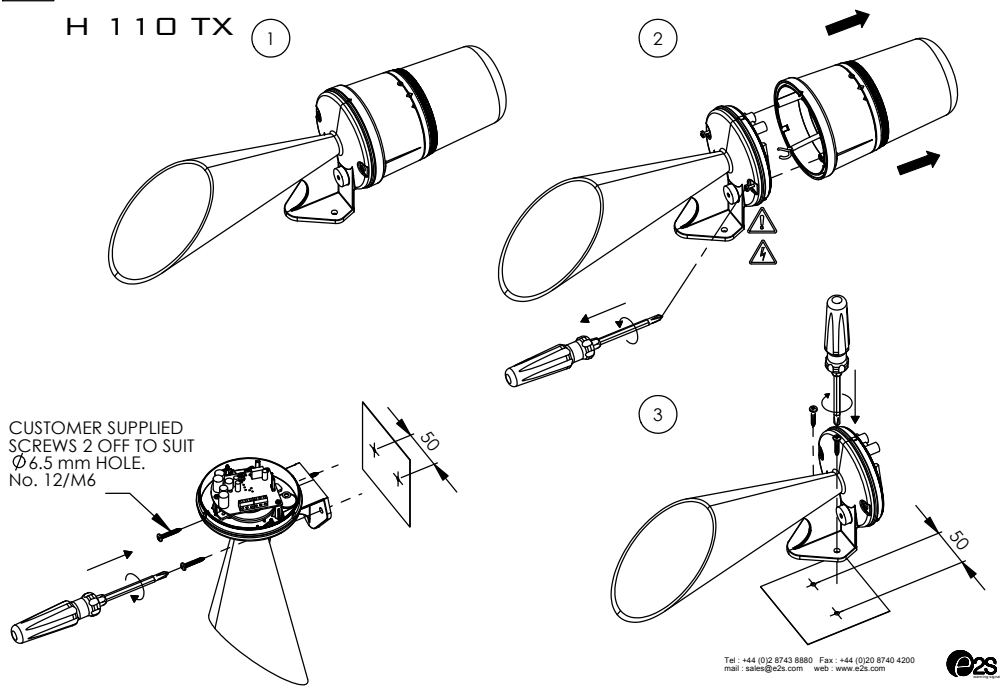
D



D153-00-101-S\_SMT1\_ISSUE\_1



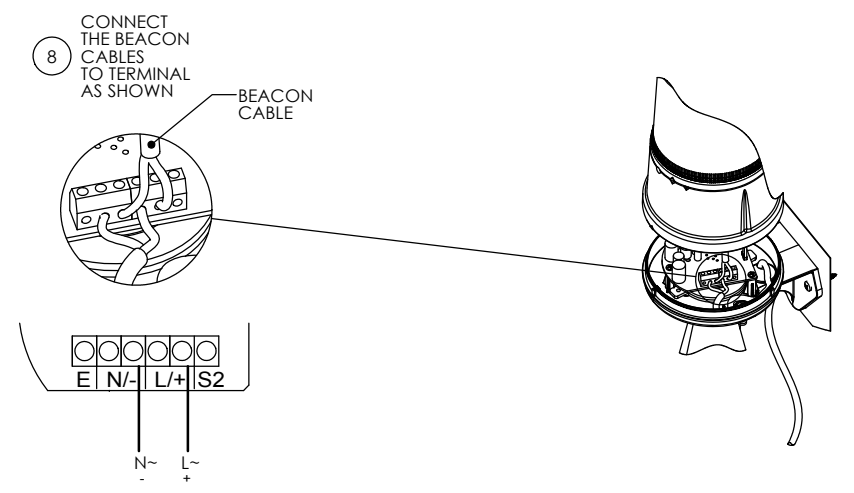
**A SPECTRA**  
H 110 TX



Tel : +44 (0)2 8743 8880 Fax : +44 (0)20 8740 4200  
mail : sales@e2s.com web : www.e2s.com



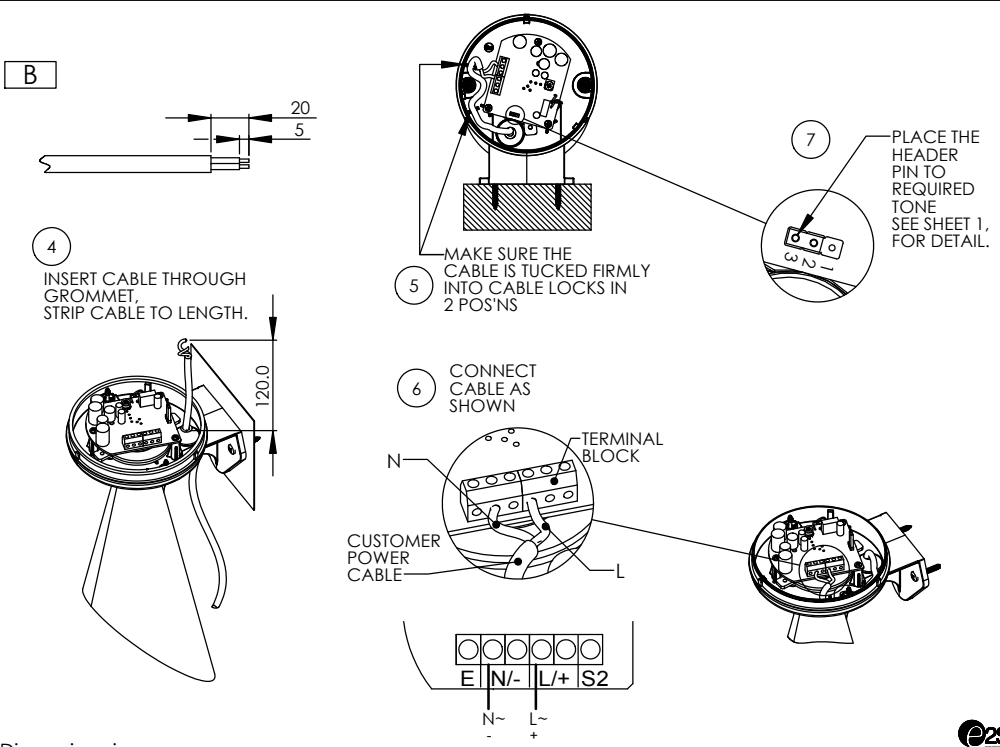
**C**



TERMINAL BLOCK	A/C INPUT	D/C INPUT
E		
N/-	N~	-
N/-	N~(FROM BEACON)	-(FROM BEACON)
L/+	L~	+
L/+	L~(FROM BEACON)	+(FROM BEACON)
S2	SWITCH TO L~	SWITCH TO -



**B**



Dimensions in mm



**D**

