

A

SPECTRA

Trumpet Horn Rotating Beacon
 IP Rating: IP65
 Temp: -25 °C to +50 °C
 Unit weight: 678g
 CE

Order code Voltage
 H110TR012G/x 12VDC
 • 12V dc 52mA
 Beacon Current Consumption
 • 12V dc 1.72A

H110TR024G/x 24VDC
 • 24V dc 105mA
 Beacon Current Consumption
 • 24V dc 910mA

H110TR115G/x 115V AC
 • 115V ac 50/60Hz 36mA
 Beacon Current Consumption
 • 115V ac 50/60Hz 216mA

H110TR230G/x 230V AC
 • 230V ac 50/60Hz 18mA
 Beacon Current Consumption
 • 230V ac 50/60Hz 117mA

H110TR

Dimensions : 135 x 462.9mm
 1.5mm² terminals
 Cable entry: 1 x 5-7mm push
 through grommet

x = Lens colour
 R = Red A = Amber
 B = Blue C = Clear
 G = Green Y = Yellow

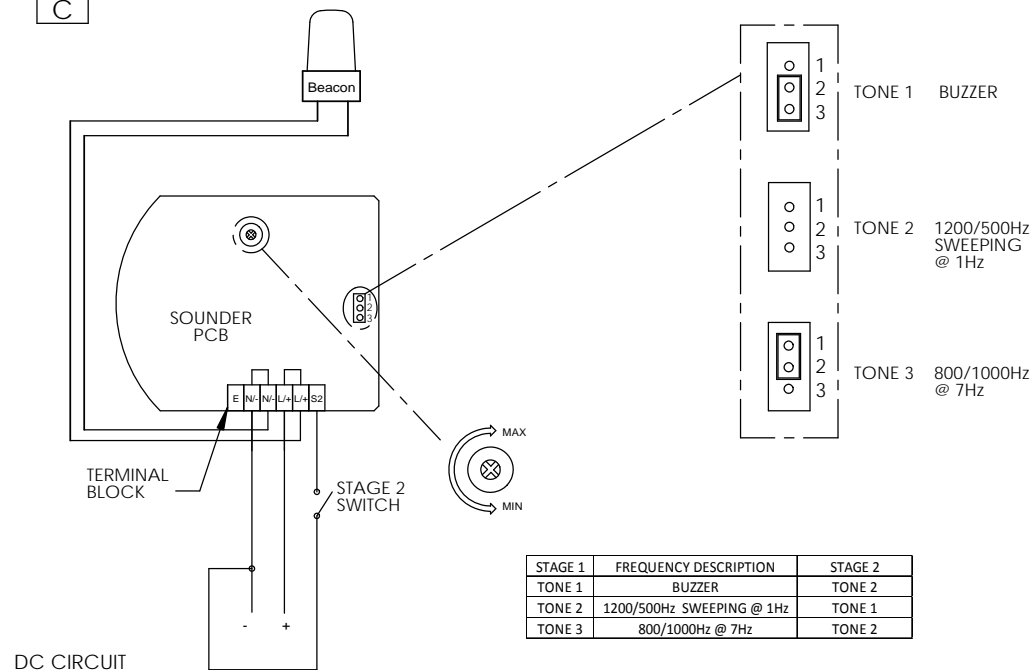
Bulb Type G6,35/GY6,35

E2S PART No. Version
 BJC20W12VCL 12Vdc 20W
 BJC20W24VCL 24Vdc 20W
 BJCD25W120VCL 115ac 25W
 BJCD25W230VCL 230ac 25W

Tel: +44 (0)2 8743 8880 Fax: +44 (0)20 8740 4200
 mail: sales@e2s.com web: www.e2s.com



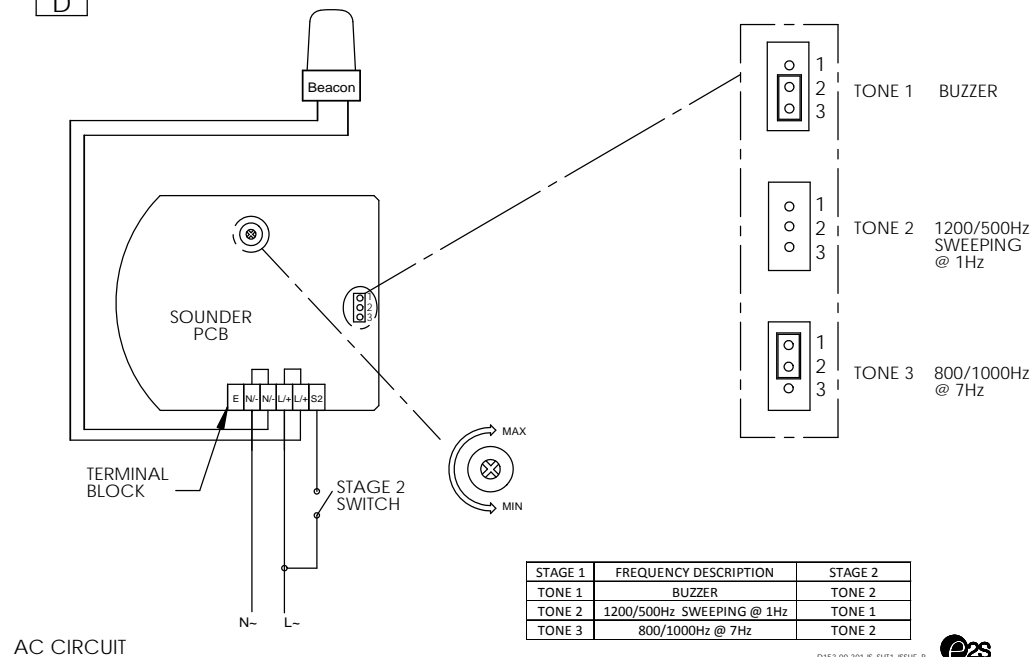
C



B

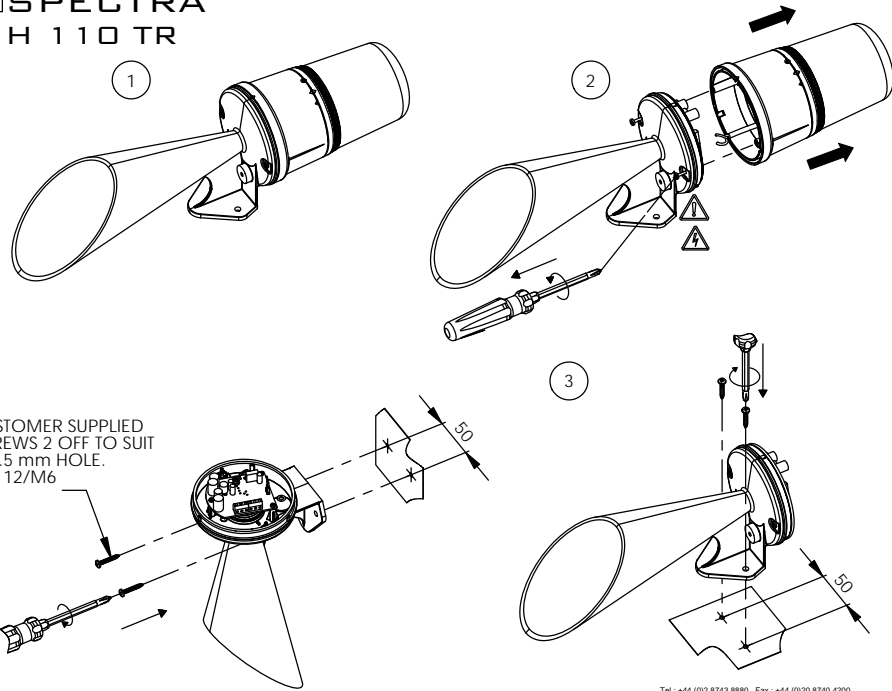
- ⚠ ATTENTION:** Installation must be carried out by an electrician in compliance with the latest codes and regulations.
- ⚠ ATTENTION:** Disconnect from power source before installation or service to prevent electric shock.
- ⚠ ATTENTION:** On strobe beacons allow a minimum of 2 minutes for hazardous high voltage to discharge from unit.
- ⚠ ATTENTION:** Lens on unit will be hot allow to cool prior to removal.

D



D153-00-301-ES_SHT1_ISSUE_B

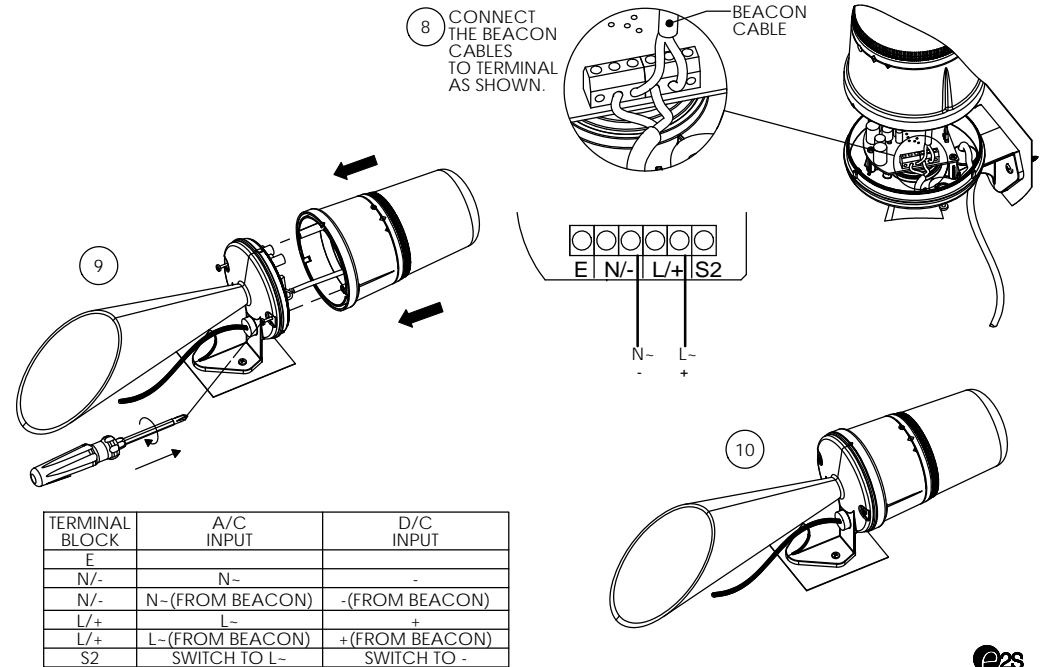
A SPECTRA H 110 TR



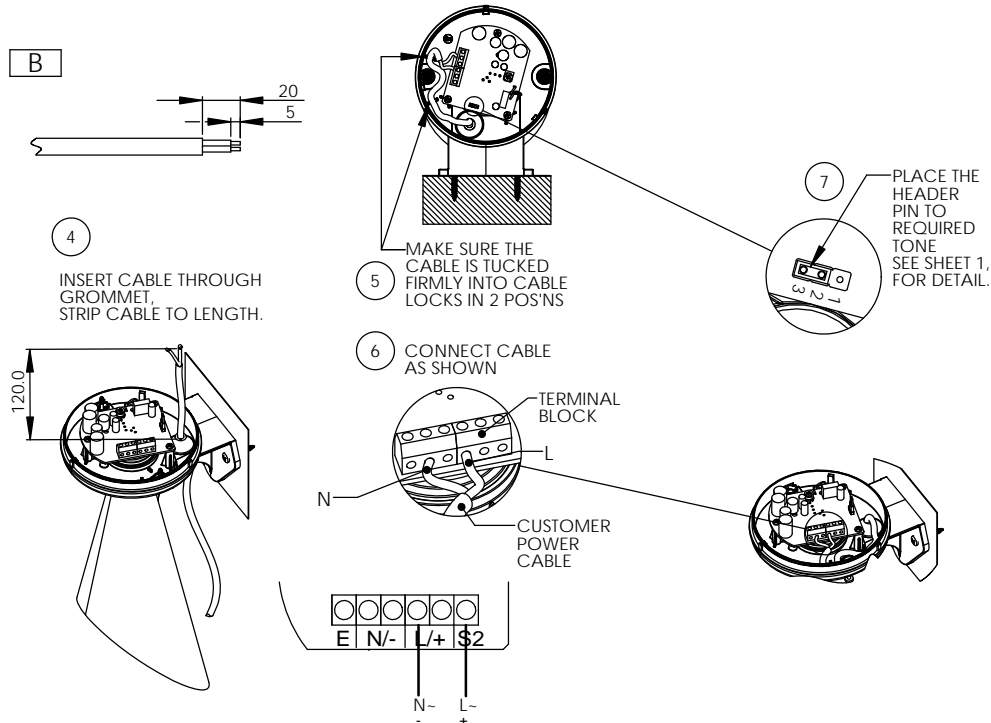
Tel: +44 (0)2 8743 8880 Fax: +44 (0)20 8740 4200
mail: sales@e2s.com web: www.e2s.com



C



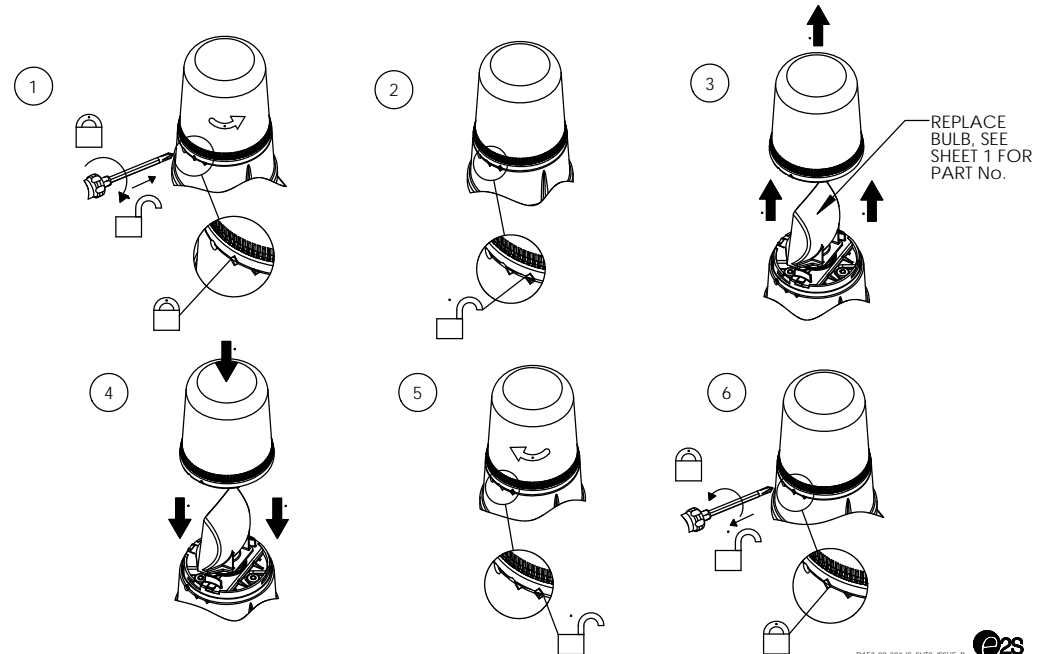
B



Dimensions in mm



D BULB REPLACEMENT



D153-00-30115_SHT2_ISSUE_B