

A

# SPECTRA

Trumpet Horn Xenon Strobe  
 IP Rating: IP65  
 Temp: -25 °C to +50 °C  
 Unit weight: 219g  
 CE

- Order code Voltage  
 H100TX024G/x 24V AC/DC
- 24V dc 10mA
  - 24V ac 50Hz 24mA
  - Beacon Current Consumption
  - 24V dc 135mA
  - 24V ac 50Hz 75mA

- H100TX115G/x 115V AC
- 115V ac 50/60Hz 19mA
  - Beacon Current Consumption
  - 115V ac 50/60Hz 30mA

- H100TX230G/x 230V AC
- 230V ac 50/60Hz 10mA
  - Beacon Current Consumption
  - 230V ac 50/60Hz 20mA

# H100 TX

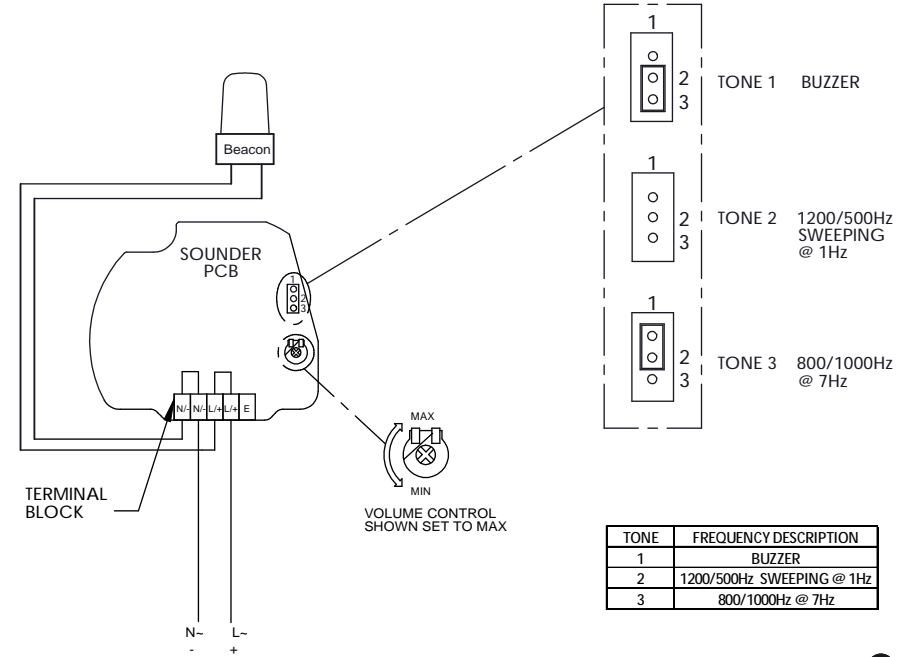
Dimensions : Ø85 x 241.2mm  
 1.5mm<sup>2</sup> terminals  
 Cable entry: 1 x 5-7mm push  
 through grommet

x = Lens colour  
 R = Red A = Amber  
 B = Blue C = Clear  
 G = Green Y = Yellow

Tel : +44 (0)2 8743 8880 Fax : +44 (0)20 8740 4200  
 mail : [sales@e2s.com](mailto:sales@e2s.com) web : [www.e2s.com](http://www.e2s.com)



D



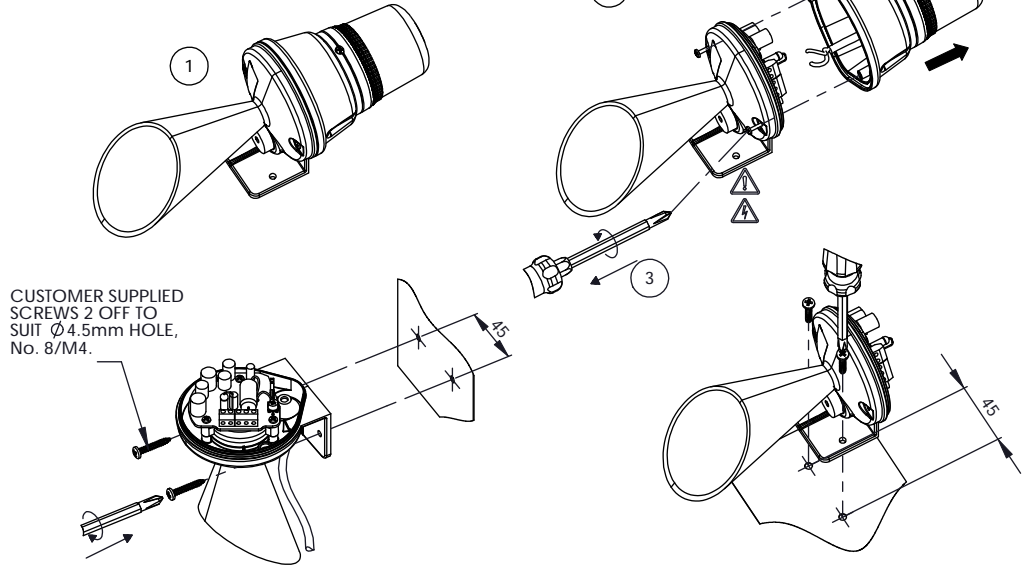
B

- ATTENTION:** Installation must be carried out by an electrician in compliance with the latest codes and regulations.
- ATTENTION:** Disconnect from power source before installation or service to prevent electric shock.
- ATTENTION:** On strobe beacons allow a minimum of 2 minutes for hazardous high voltage to discharge from unit.
- ATTENTION:** Lens on unit will be hot allow to cool prior to removal.

C



# A SPECTRA H 100 TX

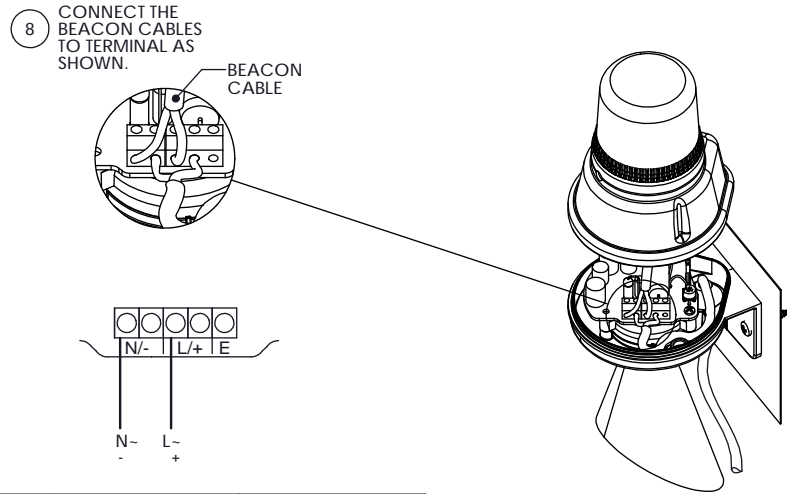


CUSTOMER SUPPLIED SCREWS 2 OFF TO SUIT Ø4.5mm HOLE, No. 8/M4.

Tel: +44 (0)2 8743 8880 Fax: +44 (0)20 8740 4200  
 mail: sales@e2s.com web: www.e2s.com



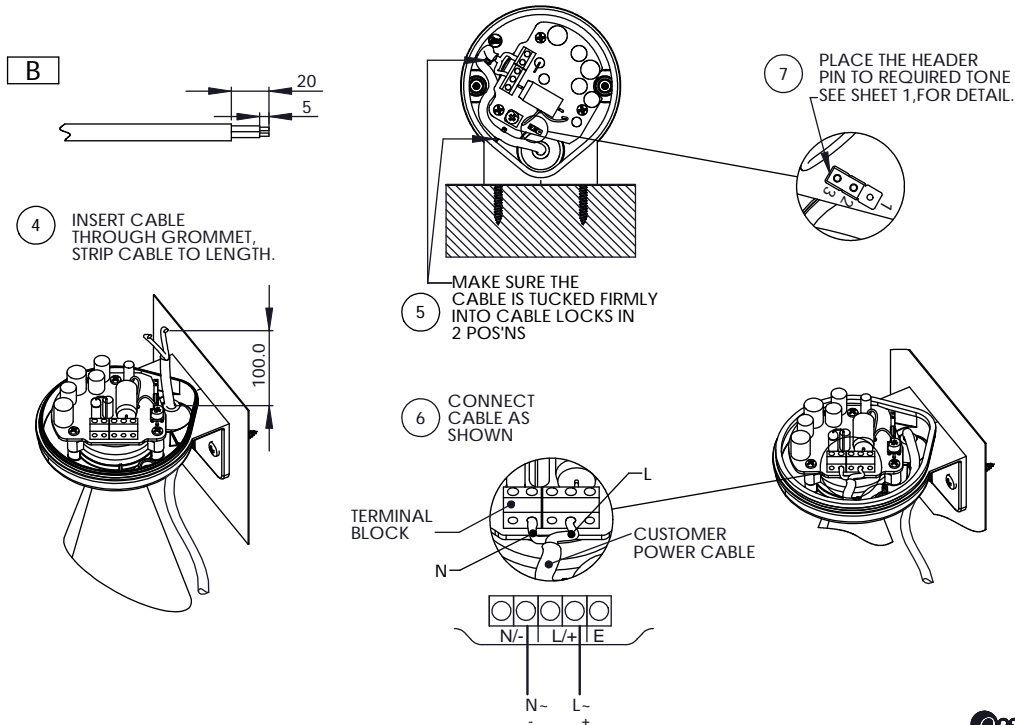
# C



TERMINAL BLOCK	A/C INPUT	D/C INPUT
N/-	N-	-
N/-	N-(FROM BEACON)	-(FROM BEACON)
L/+	L-	+
L/+	L-(FROM BEACON)	+(FROM BEACON)
E		



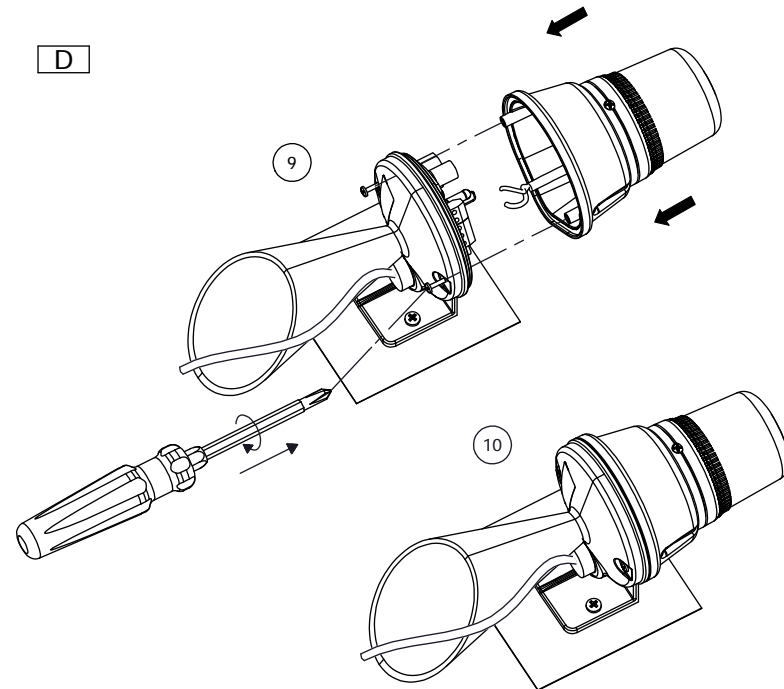
# B



Dimensions in mm



# D



D152-00-101-05\_S472\_ISSUE\_A