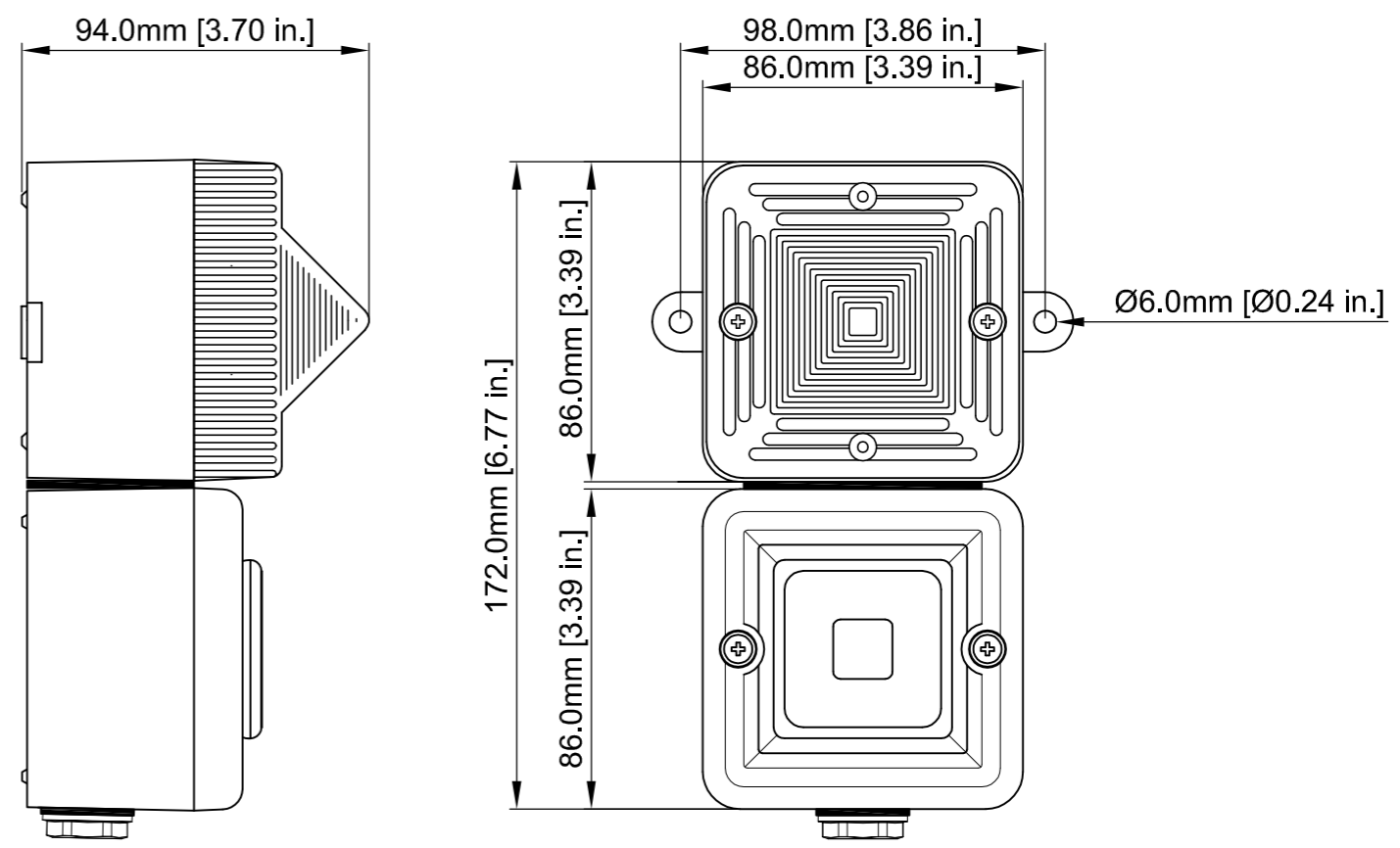
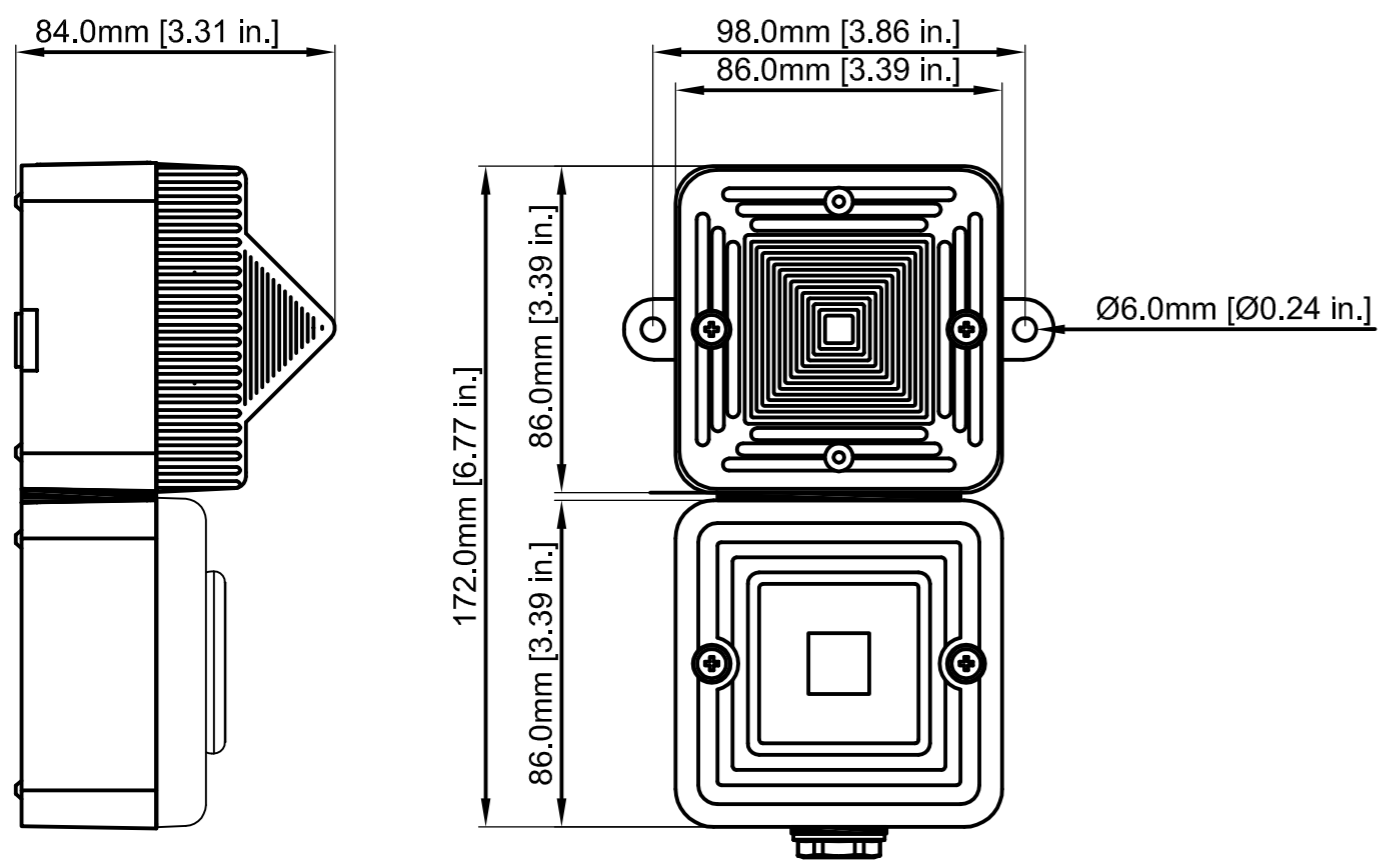


ISSUE	MOD No.	INITIAL/DATE
A		INTRODUCTION OF PART GU 28-09-09
B		UPDATED TO DUAL DIMS. RSR 02-07-13



E2S PART NO.	DESCRIPTION	DATA REFERENCE
SONFL1H...	SONFL1H ALARM SOUNDER & L.E.D BEACON	2.31.060
SONFL1H-HO...	SONFL1H-H HIGH OUTPUT ALARM SOUNDER & L.E.D BEACON	2.31.080
SONFL1X...	SONFL1X ALARM SOUNDER & XENON BEACON	2.31.050
SONFL1X-H...	SONFL1X-H HIGH OUTPUT ALARM SOUNDER & XENON BEACON	2.31.070

E2S PART NO.	DESCRIPTION	DATA REFERENCE
SONFL1H...-UL	SONFL1H ALARM SOUNDER & L.E.D BEACON	2.31.060
SONFL1H-HO...-UL	SONFL1H-H HIGH OUTPUT ALARM SOUNDER & L.E.D BEACON	2.31.080
SONFL1X...-UL	SONFL1X ALARM SOUNDER & XENON BEACON	2.31.050
SONFL1X-H...-UL	SONFL1X-H HIGH OUTPUT ALARM SOUNDER & XENON BEACON	2.31.070

DRAWING TO BS8888:2000 GEOMETRIC TOLERANCES TO ISO1101:1983 LINEAR DIMENSIONAL TOLS ANGULAR DIMENSIONAL TOLS	DRAWN G. UDOWICZENKO	DATE 24-09-09	SURFACE FINISH	WEIGHT (kg)	THIS DRAWING AND ANY INFORMATION OR DESCRIPTIVE MATTER THEREIN IS COMMUNICATED IN CONFIDENCE AND IS THE COPYRIGHT PROPERTY OF EUROPEAN SAFETY SYSTEMS LTD. NEITHER THE WHOLE OR ANY EXTRACT MAY BE DISCLOSED, LOANED, COPIED OR USED FOR MANUFACTURING OR TENDERING PURPOSES WITHOUT THEIR WRITTEN CONSENT.	 EUROPEAN SAFETY SYSTEMS LTD IMPRESS HOUSE MANSELL ROAD ACTON LONDON W3 7QH WWW.E2S.COM	ALL DIMENSIONS IN MM IF IN DOUBT, ASK - DO NOT SCALE	 A1	
	STANDARDS SONORA	CHECKED	DATE	MATERIAL					ALTERNATIVE MATERIAL
EUROPEAN SAFETY SYSTEMS LTD AS PER LATEST DATE OF ISSUE SHOWN ABOVE						TITLE SONFL1 SOUNDER/BEACON RANGE - OUTLINE	SCALE 1:1	SHEET 1 OF 1	DRAWING NUMBER SK0142